

Parts Book



# Parts Book

GENERATOR DIESEL ENGINE

**DP222LCS**  
**DP222LBS**  
**DP222LAS**  
**DP222LCF**  
**DP222LBF**

DP222LCS, DP222LBS, DP222LAS, DP222LCF, DP222LBF



**Doosan Infracore Co., Ltd.**  
Head Office & Incheon Plant  
7-11, Hwasu-Dong, Dong-Gu,  
Incheon, Korea 401-702  
TEL:+82-32-211-1114  
FAX:+82-32-211-1231

**Doosan Infracore**

Silverhorn.CO.UK

# INTRODUCTION

- This parts List presents the users with the serviceable parts of all the 『DOOSAN INFRACORE Engines』 by type, in the forms of exploded view, parts list.

## 1. INFORMATION FOR ORDERING THE PARTS

Please contact your nearest service centre with following information for the part(s) ordered.

<E.g.> 1) Engine model : DP222LCS  
2) Serial No. : DV22-OOG10 300001  
3) Part No. : 150107-00495  
4) Part Name : Crankshaft  
5) Order Quantity : 1  
6) Name and address of the customer :

## 2. HOW TO USE THIS PARTS LIST

Key No : The number referring to the corresponding part in the exploded view. The index number may have alphanumeric suffixes headed with 『-』 sign, for example, -1 or -1A. The suffix indicates that the part is a part of the component referred to with the Part No. without the suffix following the 『-』 sign. If the part is assigned with a part number, the part can be delivered independently.

Part No : Unique number assigned to the part.

Part Name : Name of the part.

Q'ty : The total number of the parts used in the engine system.

DV22-OOG10 : D28 POWER UP SERIES 1ST SUFFIX  
DV22-OOG11 : DP222LBS(782KWM)\_GENERATOR ENGINE  
DV22-OOG12 : DP222LAS(737KWM)\_GENERATOR ENGINE  
DV22-OOG13 : DP222LCF(723KWM)\_GENERATOR ENGINE  
DV22-OOG14 : DP222LBF(664KWM)\_GENERATOR ENGINE

S/C : Following service symbols are provided.

B : Factory processing is required. Please contact us.

D : The part has to be replaced by the entire assembly.

K : The part has to be replaced by a KIT unit.

OP : Optional part.

OS : Over size part.

US : Under size part.

R : The total number of the parts used in engine sets may vary by set, for example, adjusting shims.

S : The parts supplied for service or repair, not assembled in the factory.

G : The part requires grade control. As such, please order the part of the same grade of the mating part to be assembled with

- Make sure to use genuine parts.
- The Part List is subject to change for quality improvement.
- If you have any question, please do not hesitate to contact our service centre.

Sep. 2013.

# 머 리 말

- 이 부품목록은 『두산인프라코어 엔진』 전호기의 서비스 가능 부품을 조립전개도, 부품목록을 수록하였습니다.

## 1. 부품 주문에 대하여

부품을 주문할 때에는 아래 사항을 명기하시어 가까운 서비스 센터로 연락하시기 바랍니다.

- < 예 > 1) 엔진 모델 : DP222LCS  
2) 제조번호 : DV22-OOG10 300001  
3) 부품번호 : 150107-00495  
4) 부품명 : 크랭크축  
5) 수량 : 1  
6) 주문자의 주소 및 성명 :

## 2. 부품 목록을 보는 방법

Key No : 전개도의 각 부품을 표시하는 번호입니다. 지시번호가 숫자 뒤에 -1, -1A 와 같이 『-』 표시 뒤에 숫자와 알파벳으로 연결되어 기입된 경우가 있습니다. 이는 『-』 표시가 없는 부품의 구성품임을 나타냅니다. 이 부품에 부품번호가 지정되어 있으면 단독으로 부품공급이 가능합니다.

Part No : 부품에 붙여진 고유번호입니다.

Part Name : 부품의 명칭입니다.

Qty : 부품이 사용되고 있는 『1 대분의 수량』입니다.

DV22-OOG10 : D28 POWER UP SERIES 1ST SUFFIX

DV22-OOG11 : DP222LBS(782KWM)\_GENERATOR ENGINE

DV22-OOG12 : DP222LAS(737KWM)\_GENERATOR ENGINE

DV22-OOG13 : DP222LCF(723KWM)\_GENERATOR ENGINE

DV22-OOG14 : DP222LBF(664KWM)\_GENERATOR ENGINE

S/C : 아래와 같은 서비스 기호등이 기재되어 있습니다.

B : 가공작업이 필요하므로 당사로 연락해 주십시오.

D : 단품 교환불가 품목으로 그 부품을 포함한 조립품으로 교환하여 주십시오.

K : KIT 품으로 교환하여 주십시오.

OP : 옵션 파트 부품을 표시합니다.

OS : 오버 사이즈 부품을 표시합니다.

US : 언더 사이즈 부품을 표시합니다.

R : 조정용 씬 등으로, 사용하는 수량이 매 호기마다 상이한 것을 표시합니다.

S : 공장출하시 조립되는 부품이 아닌, 수리, 서비스용으로 공급되는 부품을 표시합니다.

G : 이 부품은 등급 (Grade) 관리가 필요한 부품입니다. 따라서 조립되어지는 상대부품과 같은 등급으로 신청하여 주십시오.

- 부품은 필히 순정부품을 사용하여 주십시오.
- 부품목록의 내용은 품질 향상을 위해 변경될 수 있습니다.
- 부품목록의 내용에 대한 문의 사항은 당사 서비스 센터로 연락하여 주십시오.

2013. 09.

# 前 言

- 此零件目录列举了出现在『空气压缩机柴油发动机』上的设备构件。

## 1. 配件订购

订购配件时，请提供以下内容

- 1) 发动机型号 : DP222LCS
- 2) 发动机序列号 : DV22-OOG10 300001
- 3) 零件号 : 150107-00495
- 4) 名称 : 曲轴
- 5) 数量 : 1
- 6) 联系人名称及地址 :

## 2. 目录使用方法

- 序号 (Key No) : 序号与图中的编号相对应
- 零件号 (Part No) : 即零件的编号
- 零件名称 (Part Name) : 零件名称。零件名称右边部分有时也印刷有了尺寸、规格等信息。
- 数量 (Q'ty) : 『数量』表示整个部件使用的零件数量，但总成构件的数量表示总成使用的零件  
DV22-OOG10 : D28 POWER UP SERIES 1ST SUFFIX  
DV22-OOG11 : DP222LBS(782KWM)\_GENERATOR ENGINE  
DV22-OOG12 : DP222LAS(737KWM)\_GENERATOR ENGINE  
DV22-OOG13 : DP222LCF(723KWM)\_GENERATOR ENGINE  
DV22-OOG14 : DP222LBF(664KWM)\_GENERATOR ENGINE

- 服务码 (S/C) : 零件服务码缩写的含义如下
  - B : 此类的零件在装配前要进行加工
  - D : 此类的零件不单独提供，要与包含此零件的总成一同订购
  - K : 此类的零件不单独提供，要与包含此零件的总成一同订购
  - OP : 选择零件
  - OS : 超大尺寸的零件
  - US : 低于尺寸的零件
  - R : 此类的零件表示零件数量随发动机的不同有所，例，调节垫片等
  - S : 此类的零件为安装的发动机备件，在出厂前不在发动机总成提供
  - G : 此类的零件在维修时，需要特殊维护（级别控制）。因此，订购前需要知道发动机其余部件的级别，所以请订购与发动机零件级别相同的零件

- 当维修时，推荐使用标准零件
- 用零件号查询零件，请参阅目录后的 [ 零件索引 ]
- 本图册可能会随着发动机的改进而有所改变。因此，建议客户与我们的售后服务中心联系。

2013.09.

# CONTENTS

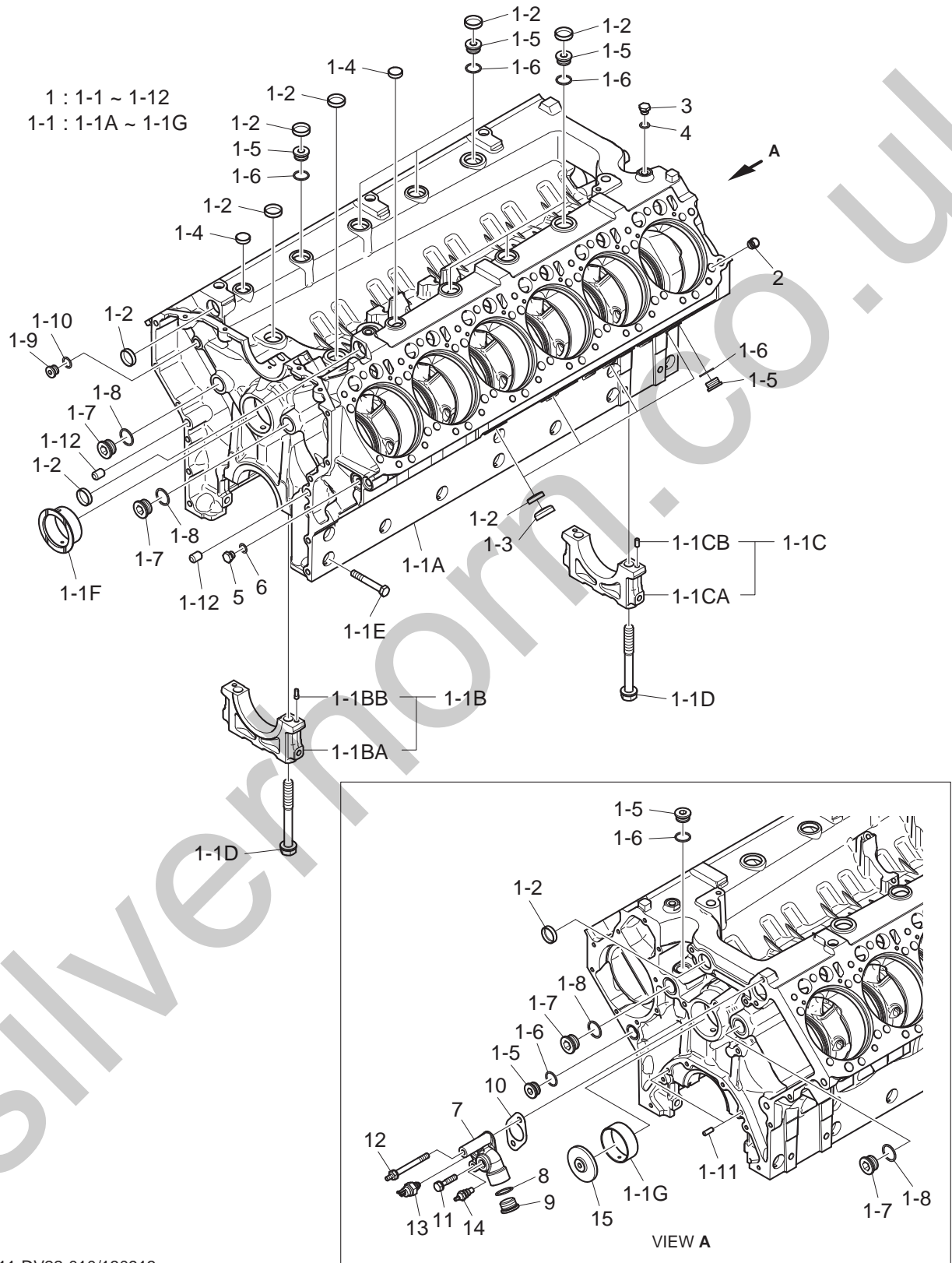
Fig. 0110 Cylinder Block . . . . .	2
0120 Cylinder Liner . . . . .	4
0140 Flywheel Housing . . . . .	6
0150 Oil Seal . . . . .	8
0160 Oil Spray Nozzle . . . . .	10
0180 Breather . . . . .	12
0210 Crankshaft . . . . .	14
0220 Vibration Damper . . . . .	16
0230 Flywheel . . . . .	18
0240 Connecting Rod . . . . .	20
0250 Piston . . . . .	22
0260 Crankshaft Pulley . . . . .	24
0310 Cylinder Head . . . . .	26
0340 Cylinder Head Cover . . . . .	28
0410 Valve . . . . .	30
0420 Rocker Arm . . . . .	32
0430 Tappet & Push Rod . . . . .	34
0440 Camshaft . . . . .	36
0510 Oil Pump . . . . .	38
0550 Oil Filter . . . . .	40
0560 Oil Cooler . . . . .	42
0580 Oil Pan . . . . .	44
0630 Cooling Water Pipe . . . . .	46
0640 Thermostat . . . . .	48
0650 Water Pump . . . . .	50
0660 Cooling Fan . . . . .	52
0810 Exhaust Manifold . . . . .	54
0820 Intake Manifold . . . . .	56
0910 Turbocharger . . . . .	58
0940 Intake Stake . . . . .	60
1010 Injection Nozzle . . . . .	62
1030 Injection Pipe . . . . .	64
1110 Injection Pump(1) . . . . .	66
1110 Injection Pump(2) . . . . .	68

Fig. 1130 Injection Pump Drive . . . . .	.70
1140 Injection Pump Mounting . . . . .	.72
1230 Fuel Line . . . . .	.74
1250 Fuel Filter . . . . .	.76
1910 Alternator Mounting . . . . .	.78
1920 Engine Lifting . . . . .	.80
2610 Alternator . . . . .	.82
2620 Starter . . . . .	.84
4150 Engine Mounting . . . . .	.86
8900 Accessories(1) . . . . .	.88
8900 Accessories(2) . . . . .	.90
8900 Accessories(3) . . . . .	.92
8900 Accessories(4) . . . . .	.94
8900 Accessories(5) . . . . .	.96
8900 Accessories(6) . . . . .	.98
8900 Accessories(7) . . . . .	100
8900 Accessories(8) . . . . .	102
8900 Accessories(9) . . . . .	104
9880 Spare Part(1) . . . . .	106
9880 Spare Part(2) . . . . .	108
9880 Spare Part(3) . . . . .	110

● 국내 엔진부품 대리점 현황

Silverhorn.CO.UK

Fig.0110 CYLINDER BLOCK



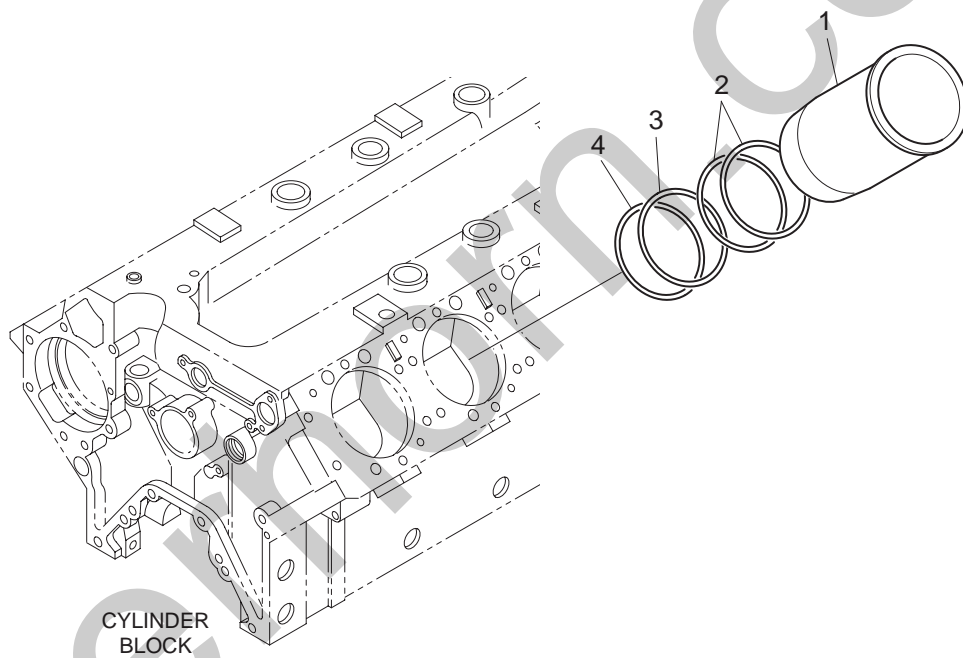
B011-DV22-010/130913



Fig.0110 CYLINDER BLOCK

Key No	Part No	Part Name	(Q'ty)					S/C	ICA
			DP222 LCS	DP222 LBS	DP222 LAS	DP222 LCF	DP222 LBF		
			DV 22 - 0 0 0 0 1 0	DV 22 - 0 0 0 0 1 1	DV 22 - 0 0 0 0 1 2	DV 22 - 0 0 0 0 1 3	DV 22 - 0 0 0 0 1 4		
1	150102-00668A	CYLINDER BLOCK ASS'Y	1	1	1	1	1		
1-1	150102-00674A	CYLINDER BLOCK ASS'Y	1	1	1	1	1	NS	
1-1A	150102-00677A	BLOCK ; CYLINDER	1	1	1	1	1	NS	
1-1B	140202-00020	BEARING CAP ASS'Y	1	1	1	1	1	NS	
1-1BA	140202-00011	CAP ; BEARING	1	1	1	1	1	NS	
1-1BB	65.91301-0071	PIN	2	2	2	2	2		
1-1C	140202-00008	BEARING CAP ASS'Y	6	6	6	6	6	NS	
1-1CA	140202-00011	CAP ; BEARING	1	1	1	1	1	NS	
1-1CB	06.22022-3061	PIN ; DOWEL	2	2	2	2	2		
1-1D	65.90020-0293B	BOLT ; BEARING CAP	14	14	14	14	14		
1-1E	06.01494-4316	BOLT ; HEX. M12x1.5x85	14	14	14	14	14		
1-1F	65.04410-0018	BUSH ; CAMSHAFT	1	1	1	1	1	B	
1-1G	65.04410-0078	BUSH ; CAMSHAFT	6	6	6	6	6	B	
1-2	65.91606-0039	PLUG ; CORE	16	16	16	16	16		
1-3	65.91606-0037	PLUG ; CORE	4	4	4	4	4		
1-4	65.90302-0041	PLUG ; CORE	2	2	2	2	2		
1-5	65.90310-0149A	SCREW ; PLUG M26x1.5	10	10	10	10	10		
1-6	06.56190-0726	RING ; SEAL	10	10	10	10	10		
1-7	65.90310-0134	SCREW ; PLUG	4	4	4	4	4		
1-8	06.56190-0732	RING ; SEAL	4	4	4	4	4		
1-9	65.90310-0131	SCREW ; PLUG	1	1	1	1	1		
1-10	06.56190-0713	RING ; SEAL A18x24	1	1	1	1	1		
1-11	06.22022-1063	PIN	2	2	2	2	2		
1-12	06.22022-3563	PIN ; DOWEL	2	2	2	2	2		
2	65.91701-0274	PIN ; LOCATING	24	24	24	24	24		
3	06.08041-2203	SCREW ; PLUG M14x1.5	1	1	1	1	1		
4	06.56190-0705	RING ; SEAL	1	1	1	1	1		
5	65.90310-0135	PLUG ; SCREW	1	1	1	1	1		
6	06.56190-0705	RING ; SEAL	1	1	1	1	1		
7	430215-00779	FLANGE	1	1	1	1	1		
8	06.56190-0732	RING ; SEAL	1	1	1	1	1		
9	65.90310-0134	SCREW ; PLUG	1	1	1	1	1		
10	65.96601-0054	GASKET	1	1	1	1	1		
11	06.01913-3220	BOLT ASS'Y M10x45	1	1	1	1	1		
12	120122-00049	BOLT ; STAY	1	1	1	1	1		
13	66.27435-6008	SWITCH ; THERMO	1	1	1	1	1		
14	65.27405-5005	SENSOR ; TACHOMETER	1	1	1	1	1	AL	
14	301317-00017	SENSOR ; TACHOMETER	1	1	1	1	1	AL	
15	65.91605-0013	COVER	1	1	1	1	1		

Fig.0120 CYLINDER LINER

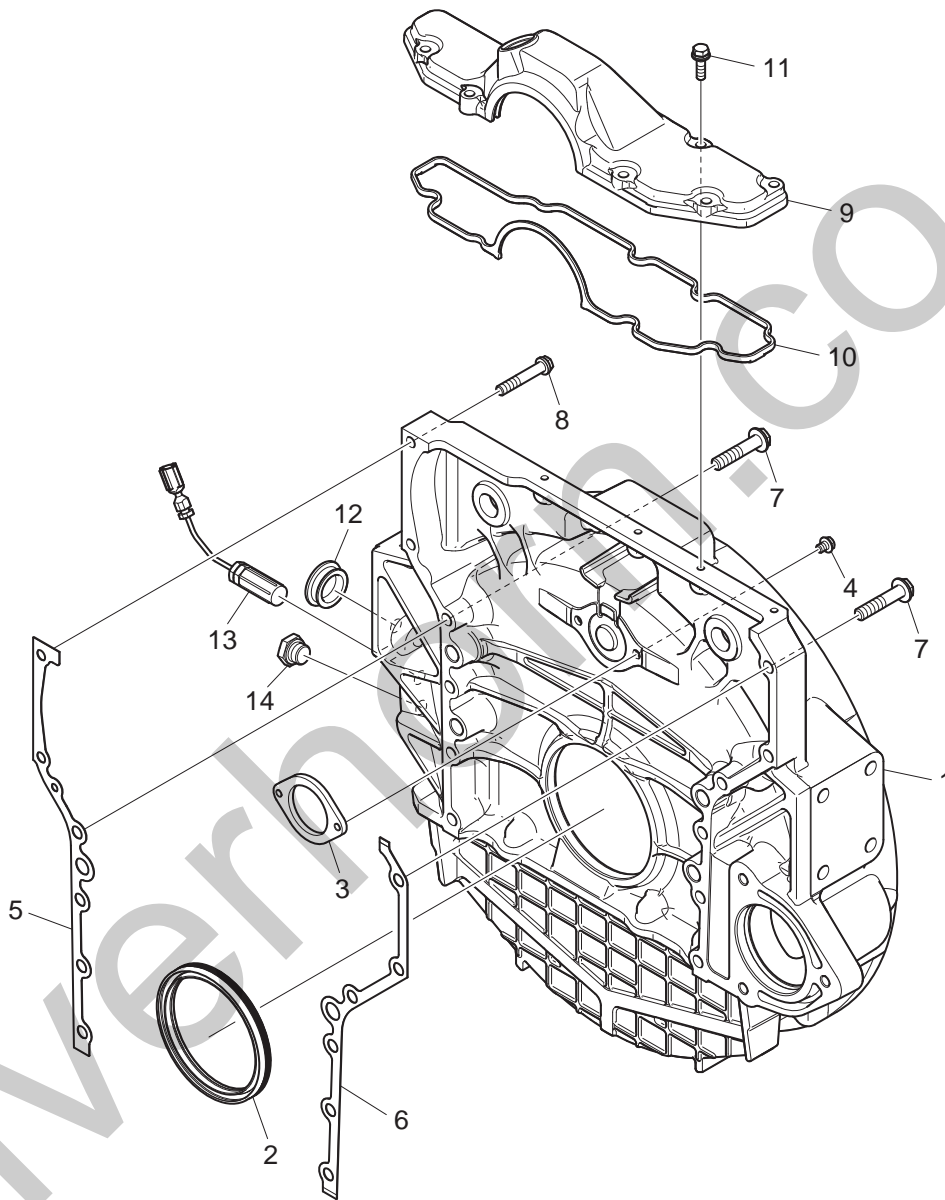


B012-DV22-001/120704

Fig.0120 CYLINDER LINER

Key No	Part No	Part Name	(Q'ty)					S/C	ICA
			DP222 LCS	DP222 LBS	DP222 LAS	DP222 LCF	DP222 LBF		
			DV 22 - 0 0 0 1 0	DV 22 - 0 0 0 1 1	DV 22 - 0 0 0 1 2	DV 22 - 0 0 0 1 3	DV 22 - 0 0 0 1 4		
1	65.01201-0312C	LINER ; CYLINDER	12	12	12	12	12		
2	401002-00785	O-RING	24	24	24	24	24		
3	401002-00786	O-RING	12	12	12	12	12		
4	401002-00786	O-RING	12	12	12	12	12		

Fig.0140 FLYWHEEL HOUSING

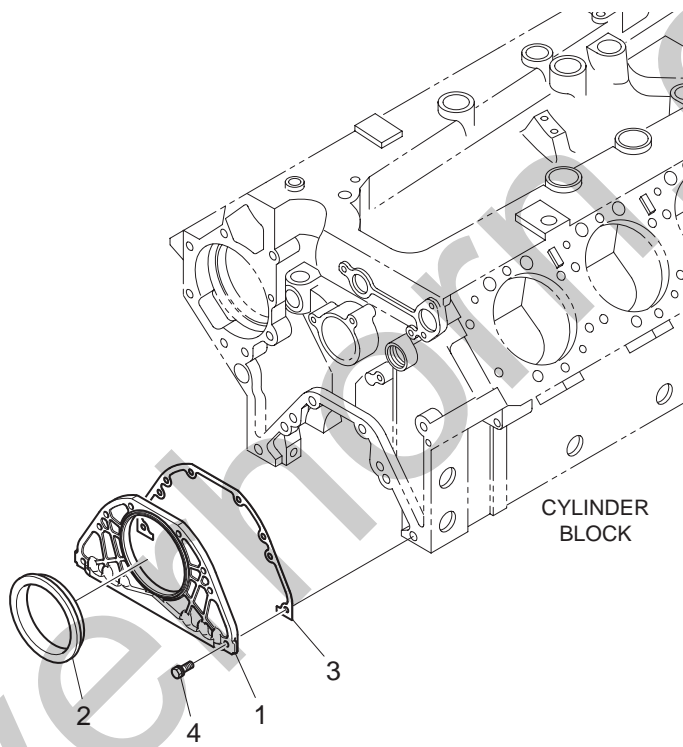


B014-DV22-001/130913

Fig.0140 FLYWHEEL HOUSING

Key No	Part No	Part Name	(Q'ty)					S/C	ICA
			DP222 LCS	DP222 LBS	DP222 LAS	DP222 LCF	DP222 LBF		
			DV 22 - 0 0 0 0 0 0 1 0	DV 22 - 0 0 0 0 0 0 1 1	DV 22 - 0 0 0 0 0 0 1 2	DV 22 - 0 0 0 0 0 0 1 3	DV 22 - 0 0 0 0 0 0 1 4		
1	150114-00169	HOUSING ; FLYWHEEL	1	1	1	1	1		
2	65.01510-0141	OIL SEAL	1	1	1	1	1		
3	120816-00123	WASHER ; THRUST	1	1	1	1	1		
4	65.90020-0065A	BOLT ; HEX.	2	2	2	2	2		
5	65.01903A0200	GASKET ; FLYWHEEL HOUSING	1	1	1	1	1		
6	65.01903A0201	GASKET ; FLYWHEEL HOUSING	1	1	1	1	1		
7	65.90020-0223	BOLT ; FLYWHEEL HOUSING	10	10	10	10	10		
8	65.90020-0091	BOLT ; COLLARED HEX.	2	2	2	2	2		
9	65.01402-0020	COVER ; FLYWHEEL HOUSING	1	1	1	1	1		
10	65.01903-0011	GASKET ; FLYWHEEL HOUSING COVER	1	1	1	1	1		
11	06.01923-3117	BOLT ASS'Y M8x30	4	4	4	4	4		
12	65.96401-0007	CAP ; RUBBER	1	1	1	1	1		
13	65.27103-7002D	SENSOR ; TACHOMETER	1	1	1	1	1		
14	06.08092-2405	PLUG ; SCREW M16x1.5	1	1	1	1	1		

Fig.0150 OIL SEAL

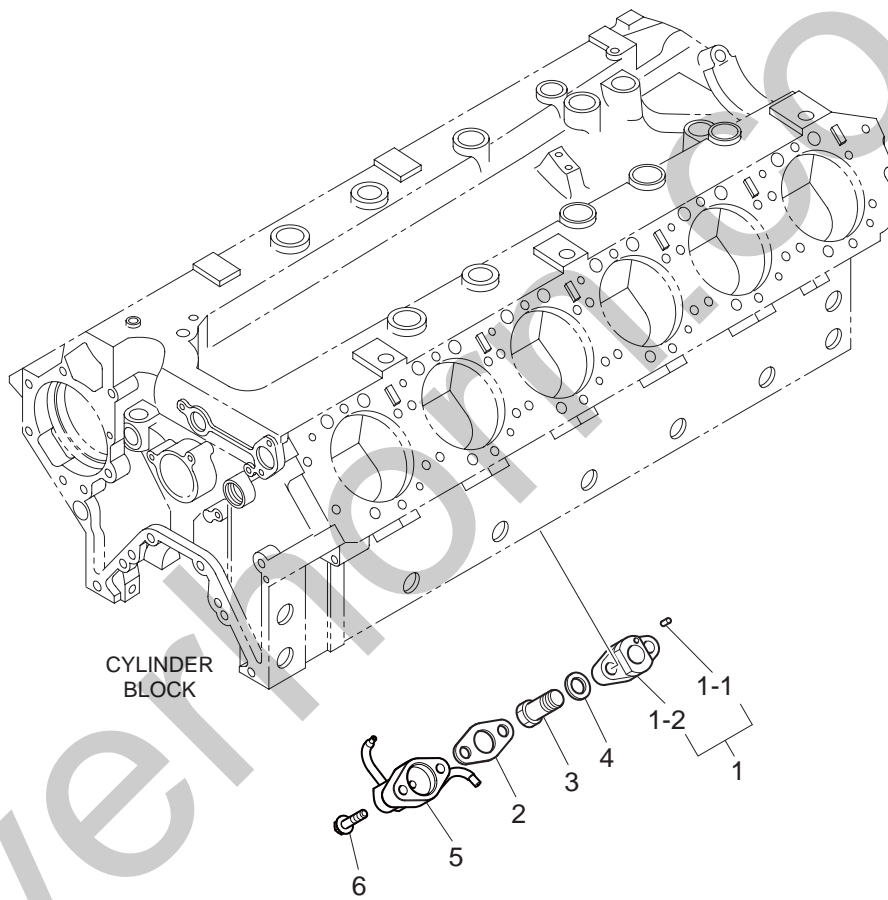


B015-DV15-001/120613

Fig.0150 OIL SEAL

Key No	Part No	Part Name	(Q'ty)					S/C	ICA
			DP222 LCS	DP222 LBS	DP222 LAS	DP222 LCF	DP222 LBF		
			DV 22 - 0 0 0 1 0	DV 22 - 0 0 0 1 1	DV 22 - 0 0 0 1 2	DV 22 - 0 0 0 1 3	DV 22 - 0 0 0 1 4		
1	65.01501-5017E	COVER ; SEALING	1	1	1	1	1		
2	65.01510-0153A	SEAL ; OIL	1	1	1	1	1		
3	65.01905-0032	GASKET	1	1	1	1	1		
4	06.01923-3116	BOLT ASS'Y M8x28	6	6	6	6	6		

Fig.0160 OIL SPRAY NOZZLE



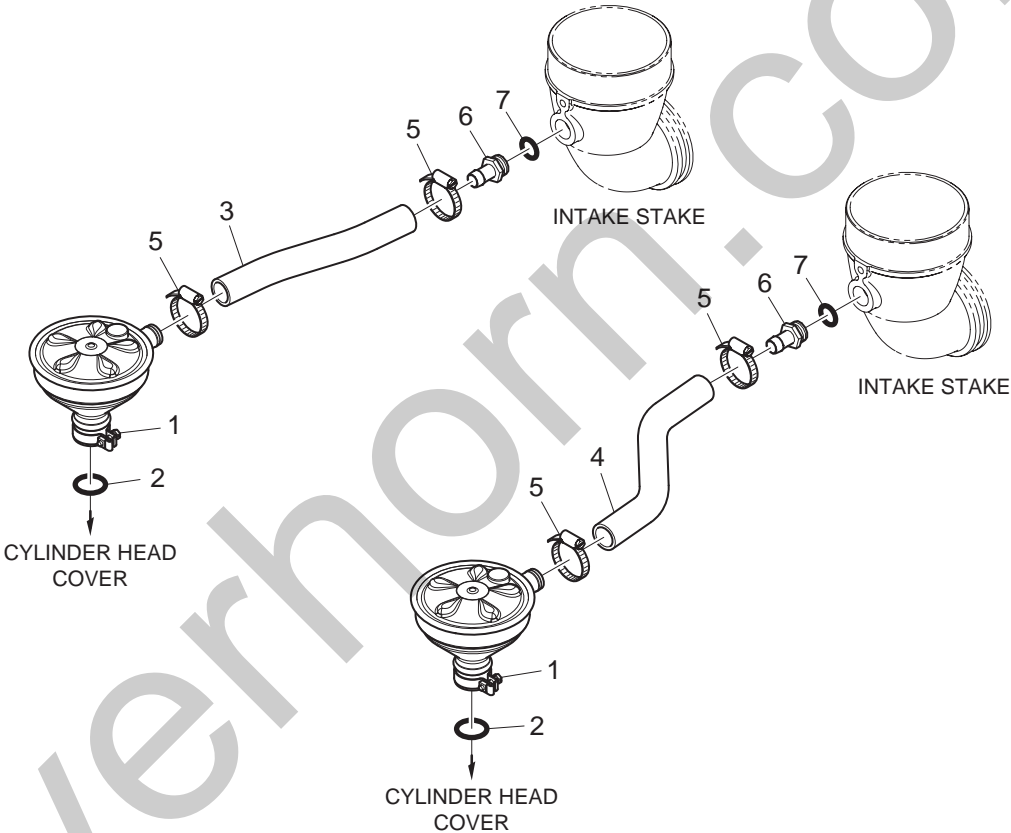
B016-DV22-001/120704



Fig.0160 OIL SPRAY NOZZLE

Key No	Part No	Part Name	(Q'ty)					S/C	ICA
			DP222 LCS	DP222 LBS	DP222 LAS	DP222 LCF	DP222 LBF		
			DV 22 - 0 0 0 0 1 0	DV 22 - 0 0 0 0 1 1	DV 22 - 0 0 0 0 1 2	DV 22 - 0 0 0 0 1 3	DV 22 - 0 0 0 0 1 4		
1	65.01601-2016A	FLANGE ASS'Y	12	12	12	12	12		
1-1	06.22180-0804	PIN ; SPIRAL	1	1	1	1	1		
1-2	65.01601-0007A	FLANGE ; OIL SPRAY NOZZLE	1	1	1	1	1		
2	65.96601A0237	GASKET	12	12	12	12	12		
3	65.98150-0051	SCREW ; HOLLOW	12	12	12	12	12		
4	06.56190-0706	RING ; SEAL A14x20	12	12	12	12	12		
5	430218-00256	OIL SPRAY NOZZLE ASS'Y	12	12	12	12	12		
6	120106-00539	BOLT ; HEX.	24	24	24	24	24		

Fig.0180 BREATHER

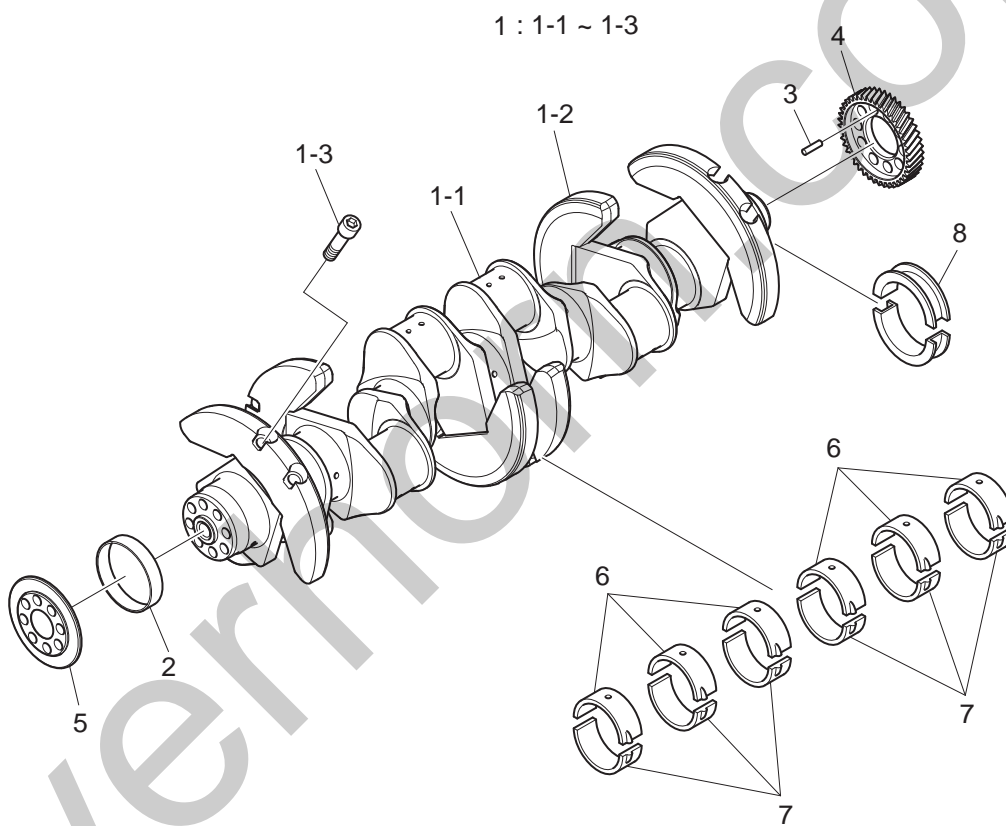


B018-DV22-001/130913

Fig.0180 BREATHER

Key No	Part No	Part Name	(Q'ty)					S/C	ICA
			DP222 LCS	DP222 LBS	DP222 LAS	DP222 LCF	DP222 LBF		
			DV 22 - 0 0 0 0 1 0	DV 22 - 0 0 0 0 1 1	DV 22 - 0 0 0 0 1 2	DV 22 - 0 0 0 0 1 3	DV 22 - 0 0 0 0 1 4		
1	51.01804-7023	SEPARATOR	2	2	2	2	2		
2	65.96501-0032B	O-RING	2	2	2	2	2		
3	420101-00721	HOSE ; AIR	1	1	1	1	1		
4	420101-00722	HOSE ; AIR	1	1	1	1	1		
5	65.97440-0006	CLAMP ; HOSE	4	4	4	4	4		
6	65.98131-0072	SCREW ; CONNECTION	2	2	2	2	2		
7	06.56190-0726	RING ; SEAL	2	2	2	2	2		

Fig.0210 CRANKSHAFT

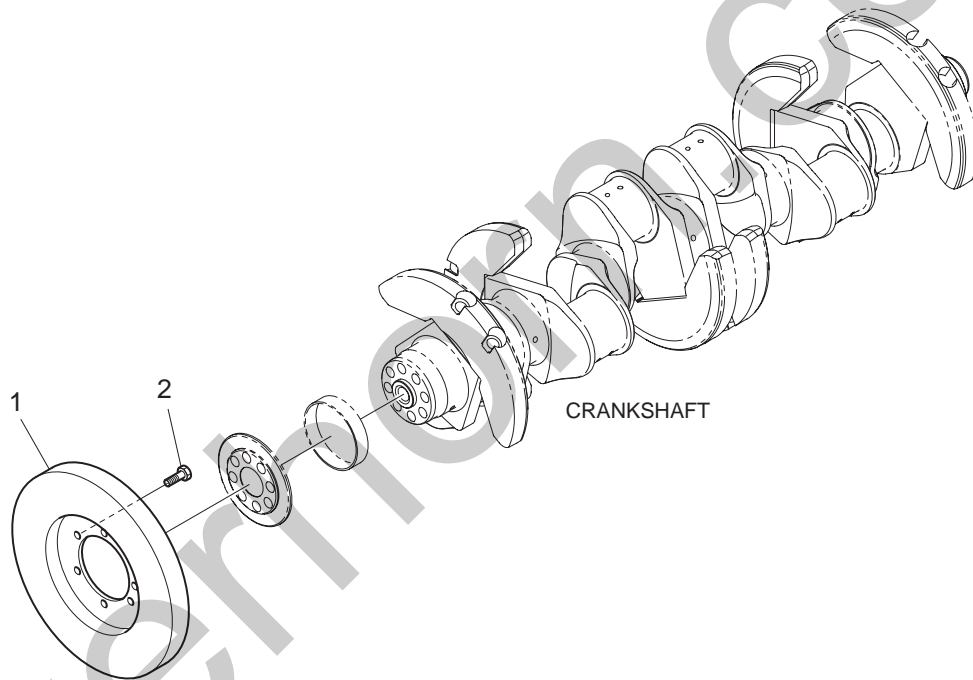


C021-DV22-003/120704

Fig.0210 CRANKSHAFT

Key No	Part No	Part Name	(Q'ty)					S/C	ICA
			DP222 LCS	DP222 LBS	DP222 LAS	DP222 LCF	DP222 LBF		
			DV 22 - 0 0 0 0 1 0	DV 22 - 0 0 0 0 1 1	DV 22 - 0 0 0 0 1 2	DV 22 - 0 0 0 0 1 3	DV 22 - 0 0 0 0 1 4		
1	150107-00497	CRANKSHAFT ASS'Y	1	1	1	1	1		
1-1	150107-00495	CRANKSHAFT	1	1	1	1	1	NS	
1-2	160701-00043	WEIGHT ; COUNTER	6	6	6	6	6	NS	
1-3	65.90030-0048A	BOLT ; BALANCE WEIGHT	12	12	12	12	12		
2	65.02130-0001	RING ; WEAR (FRONT)	1	1	1	1	1		
3	06.22022-3065	PIN ; PARALLEL	1	1	1	1	1		
4	65.02115-0066	GEAR ; CRANKSHAFT	1	1	1	1	1		
5	401102-00033	HOLDER ; OIL SEAL	1	1	1	1	1		
6	65.01110-0070	BEARING ; MAIN	6	6	6	6	6		
7	65.01110-0080	BEARING ; MAIN	6	6	6	6	6		
8	65.01111-6539	WASHER ; THRUST	1	1	1	1	1		

Fig.0220 VIBRATION DAMPER

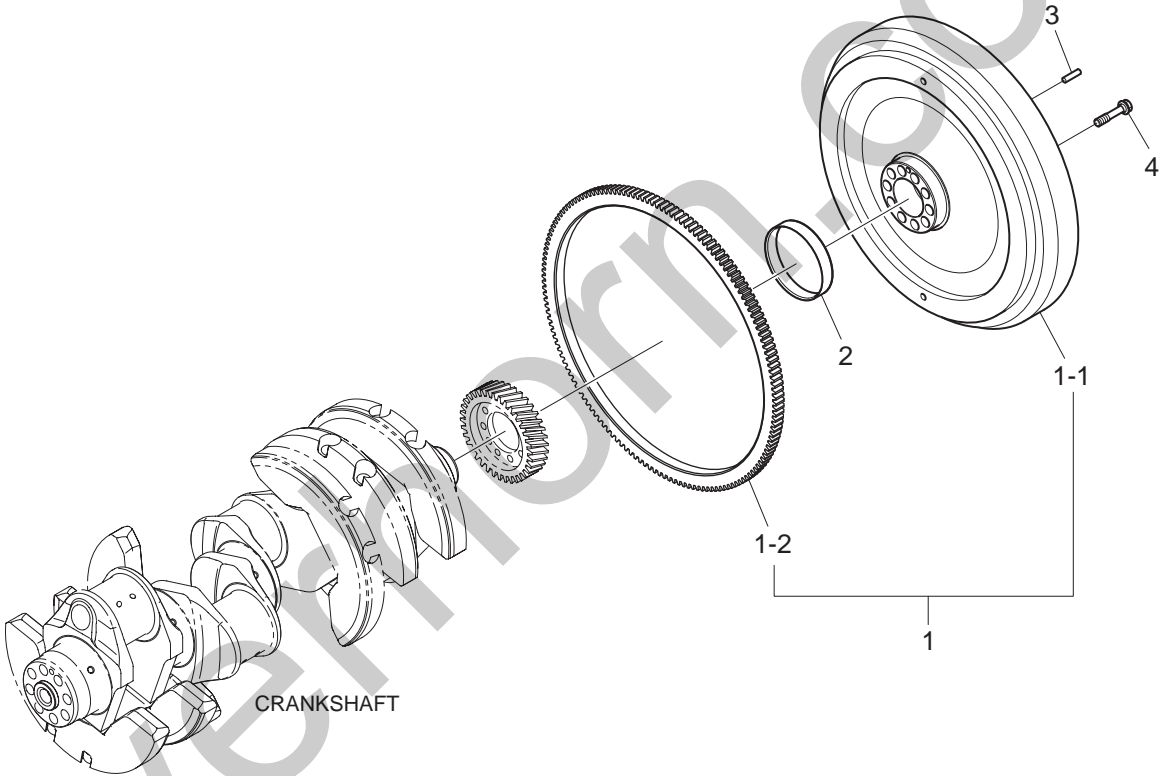


C022-DL11-002/120704

Fig.0220 VIBRATION DAMPER

Key No	Part No	Part Name	(Q'ty)					S/C	ICA
			DP222 LCS	DP222 LBS	DP222 LAS	DP222 LCF	DP222 LBF		
			DV 22 - 0 0 G 1 0	DV 22 - 0 0 G 1 1	DV 22 - 0 0 G 1 2	DV 22 - 0 0 G 1 3	DV 22 - 0 0 G 1 4		
1	65.02201-7033	DAMPER ; VISCOUS	1	1	1	1	1	AL	
1	65.02201-7034	DAMPER ; VISCOUS	1	1	1	1	1	AL	
2	65.90020-0062B	BOLT ; HEX. M10x20	6	6	6	6	6		

Fig.0230 FLYWHEEL



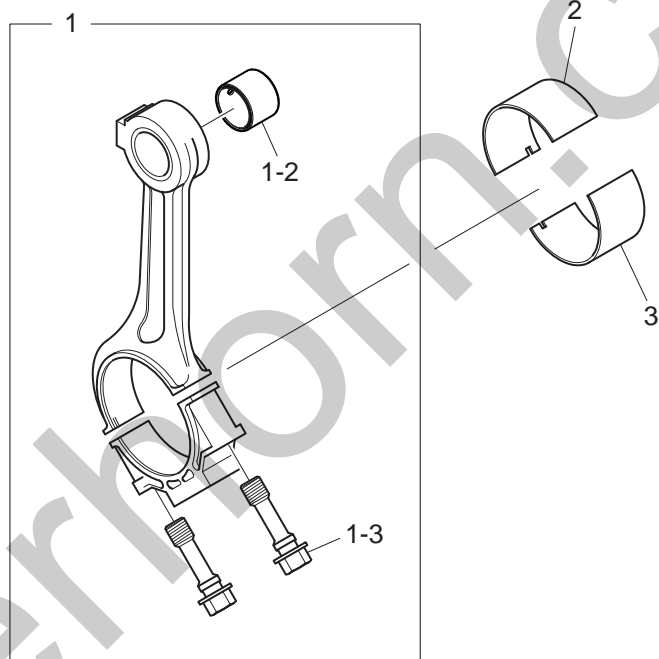
C023-DV15-007/120613



Fig.0230 FLYWHEEL

Key No	Part No	Part Name	(Q'ty)					S/C	ICA
			DP222 LCS	DP222 LBS	DP222 LAS	DP222 LCF	DP222 LBF		
			DV 22 - 0 0 0 0 1 0	DV 22 - 0 0 0 1 1	DV 22 - 0 0 0 1 2	DV 22 - 0 0 0 1 3	DV 22 - 0 0 0 1 4		
1	65.02301-5014C	FLYWHEEL ASS'Y	1	1	1	1	1		
1-1	65.02301-0303E	FLYWHEEL	1	1	1	1	1	NS	
1-2	65.02310-0073D	GEAR ; STARTER RING	1	1	1	1	1		
2	65.02130-0002	RING ; WEAR (REAR)	1	1	1	1	1		
3	65.91303-0005	PIN ; TAPER	1	1	1	1	1		
4	65.90020-0127	BOLT ; FLYWHEEL HOUSING	10	10	10	10	10		

Fig.0240 CONNECTING ROD

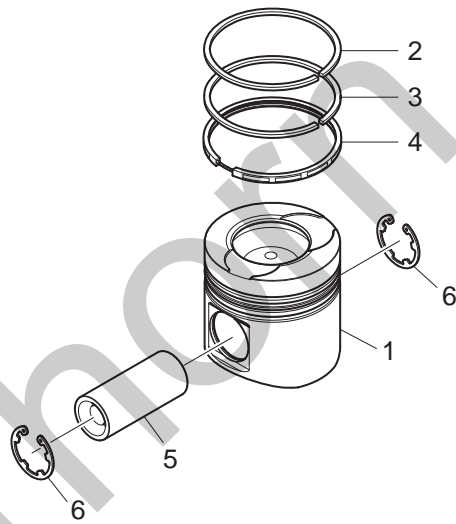


C024-DV22-002/120817

Fig.0240 CONNECTING ROD

Key No	Part No	Part Name	(Q'ty)					S/C	ICA
			DP222 LCS	DP222 LBS	DP222 LAS	DP222 LCF	DP222 LBF		
			DV 22 - 0 0 0 0 1 0	DV 22 - 0 0 0 0 1 1	DV 22 - 0 0 0 0 1 2	DV 22 - 0 0 0 0 1 3	DV 22 - 0 0 0 0 1 4		
1	150121-00107	CONNECTING ROD ASS'Y	12	12	12	12	12		
1-2	65.02405-0008	BUSHING ; CONNECTING ROD	1	1	1	1	1		
1-3	65.02411-0008	BOLT ; CONNECTING ROD	2	2	2	2	2		
2	65.02410-0320	BEARING ; CONNECTING ROD (UPPER)	12	12	12	12	12		
3	65.02410-0200	BEARING ; CONNECTING ROD (LOWER)	12	12	12	12	12		

Fig.0250 PISTON

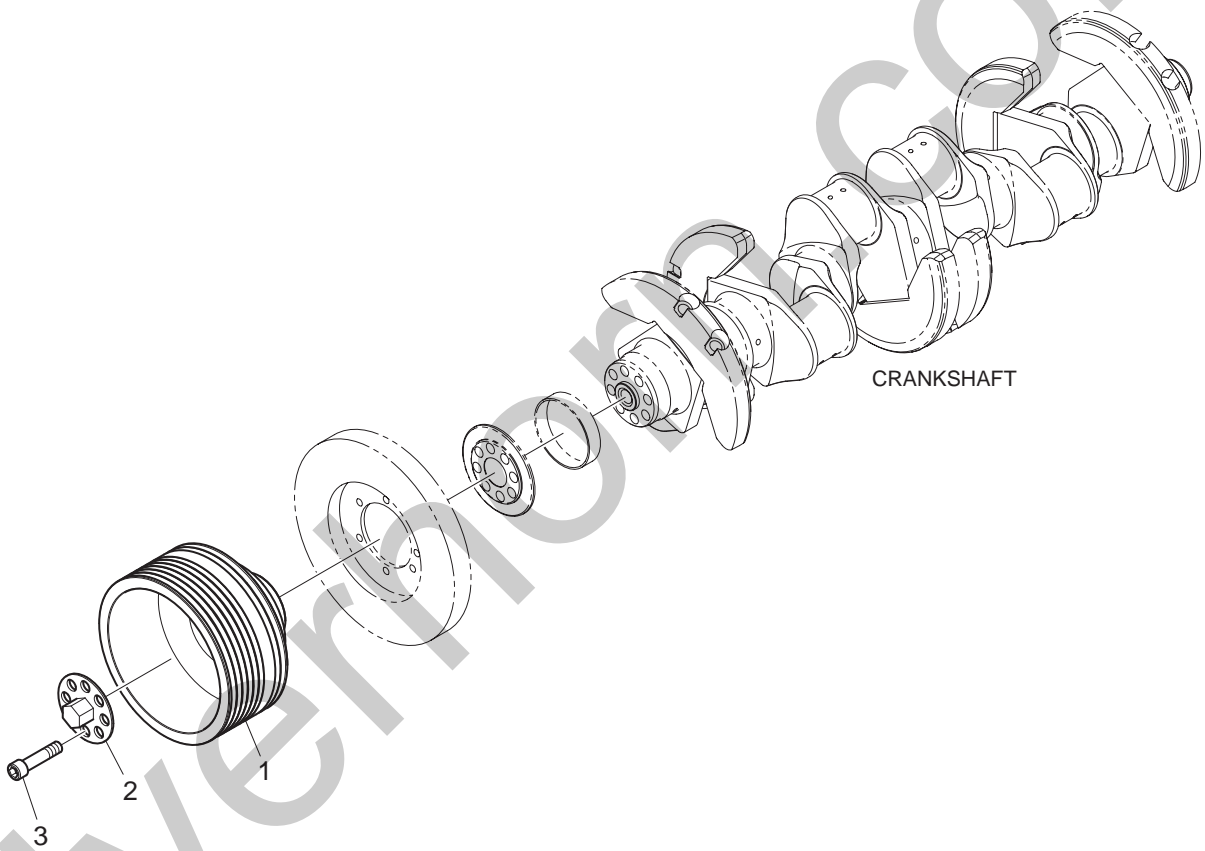


C025-DV22-009/130913

Fig.0250 PISTON

Key No	Part No	Part Name	(Q'ty)					S/C	ICA
			DP222 LCS	DP222 LBS	DP222 LAS	DP222 LCF	DP222 LBF		
			DV 22 - 00 G 0 1 0	DV 22 - 00 G 0 1 1	DV 22 - 00 G 0 1 2	DV 22 - 00 G 0 1 3	DV 22 - 00 G 0 1 4		
1	65.02501-0704	PISTON	12	12	12	12	12		
2	65.02503-0158	RING ; TOP	12	12	12	12	12	K	
3	65.02503-0159	RING ; SECOND	12	12	12	12	12	K	
4	65.02503-0678	RING ; OIL	12	12	12	12	12	K	
5	130601-00042	PIN ; PISTON	12	12	12	12	12		
6	65.90815-0022A	RING ; LOCK	24	24	24	24	24		
*	401004-00022	RING KIT ; PISTON	12	12	12	12	12		

Fig.0260 CRANKSHAFT PULLEY

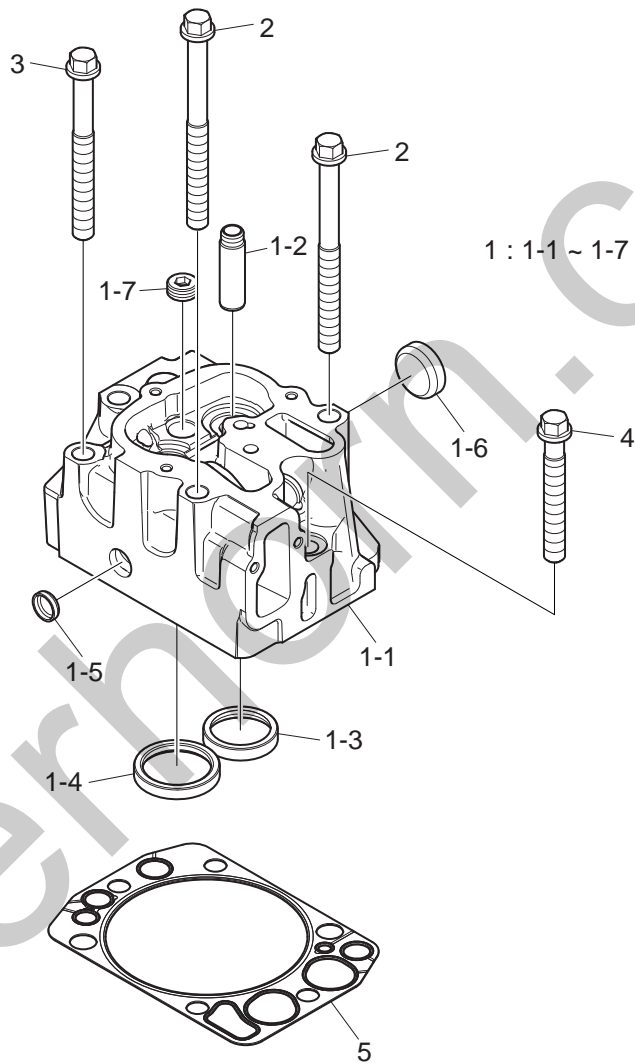


C026-DV22-002/130913

Fig.0260 CRANKSHAFT PULLEY

Key No	Part No	Part Name	(Q'ty)					S/C	ICA
			DP222 LCS	DP222 LBS	DP222 LAS	DP222 LCF	DP222 LBF		
			DV 22 - 0 0 G 1 0	DV 22 - 0 0 G 1 1	DV 22 - 0 0 G 1 2	DV 22 - 0 0 G 1 3	DV 22 - 0 0 G 1 4		
1	130711-00088	PULLEY ; CRANKSHAFT	1	1	1	1	1		
2	65.99710-5003	PLATE ; TURNING DEVICE	1	1	1	1	1		
3	120107-00008	BOLT ; SOCKET HEAD	8	8	8	8	8		

Fig.0310 CYLINDER HEAD



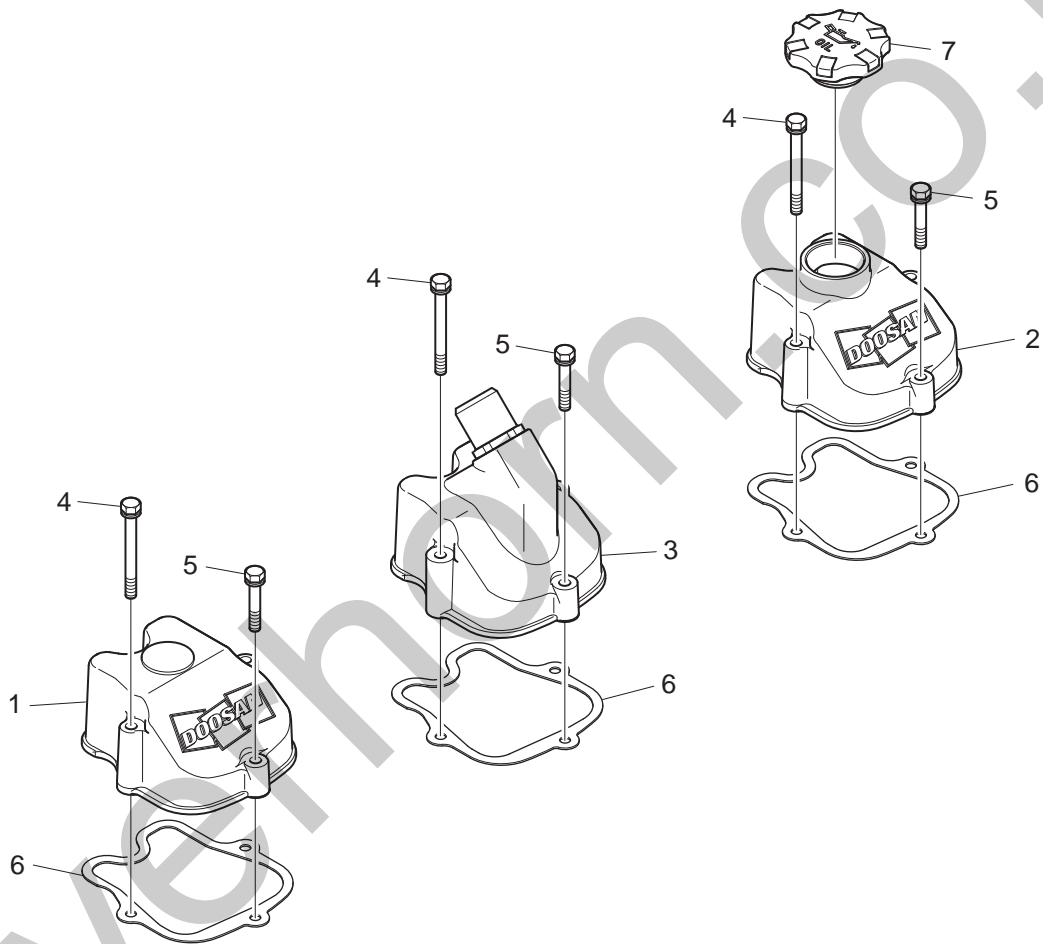
B031-DV22-004/130913



Fig.0310 CYLINDER HEAD

Key No	Part No	Part Name	(Q'ty)					S/C	ICA
			DP222 LCS	DP222 LBS	DP222 LAS	DP222 LCF	DP222 LBF		
			DV 22 - 0 0 0 0 1 0	DV 22 - 0 0 0 0 1 1	DV 22 - 0 0 0 0 1 2	DV 22 - 0 0 0 0 1 3	DV 22 - 0 0 0 0 1 4		
1	150113-00408A	CYLINDER HEAD ASS'Y	12	12	12	12	12		
1-1	150113-00400A	HEAD ; CYLINDER	1	1	1	1	1	NS	
1-2	65.03201-1060	GUIDE ; VALVE	2	2	2	2	2		
1-3	65.03203-0184	VALVE ; SEAT (EXHAUST)	1	1	1	1	1		
1-4	65.03203-0242	VALVE ; SEAT (INTAKE)	1	1	1	1	1		
1-5	65.91606-0041	PLUG ; CORE	1	1	1	1	1		
1-6	65.91606-0037	PLUG ; CORE	1	1	1	1	1		
1-7	06.08023-0207	SCREW ; PLUG	1	1	1	1	1		
2	65.90020-0268	BOLT ; CYLINDER HEAD	24	24	24	24	24		
3	65.90020-0269	BOLT ; CYLINDER HEAD	36	36	36	36	36		
4	65.90020-0270	BOLT ; CYLINDER HEAD	12	12	12	12	12		
5	51.03901-0348	GASKET ; CYLINDER HEAD	12	12	12	12	12	AL	
5	51.03901-0338	GASKET ; CYLINDER HEAD	12	12	12	12	12	AL	

Fig.0340 CYLINDER HEAD COVER

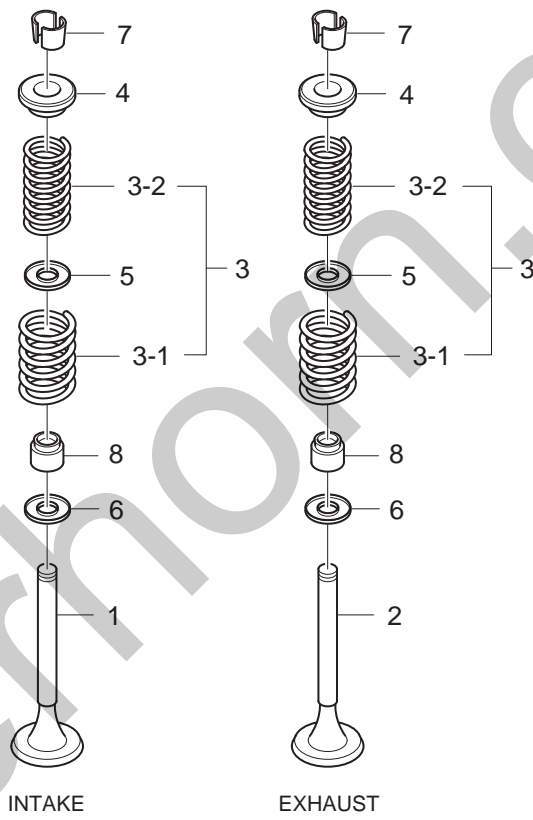


B034-DV22-007/130913

Fig.0340 CYLINDER HEAD COVER

Key No	Part No	Part Name	(Q'ty)					S/C	ICA
			DP222 LCS	DP222 LBS	DP222 LAS	DP222 LCF	DP222 LBF		
			DV 22 - 0 0 0 1 0	DV 22 - 0 0 0 1 1	DV 22 - 0 0 0 1 2	DV 22 - 0 0 0 1 3	DV 22 - 0 0 0 1 4		
1	65.03401-0077	COVER ; CYLINDER HEAD	9	9	9	9	9		
2	65.03401-0081	COVER ; CYLINDER HEAD	1	1	1	1	1		
3	65.03401-5002	COVER ; CYLINDER HEAD	2	2	2	2	2		
4	06.01923-3125	BOLT ASS'Y M8x70	24	24	24	24	24		
5	06.01923-3120	BOLT ASS'Y M8x45	12	12	12	12	12		
6	65.03905-0034	GASKET ; CYLINDER HEAD COVER	12	12	12	12	12		
7	65.01810-5011	CAP ; OIL FILLER	1	1	1	1	1		

Fig.0410 VALVE

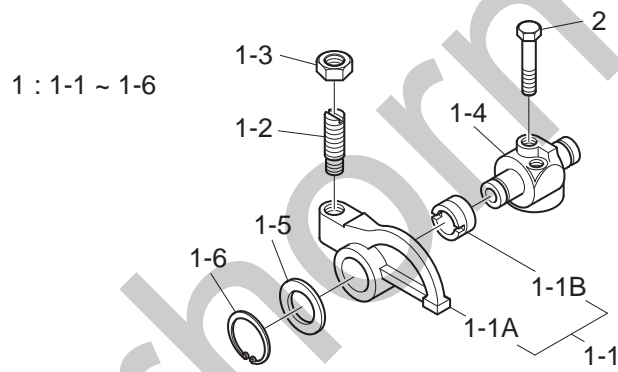


D041-DV22-001/120817

Fig.0410 VALVE

Key No	Part No	Part Name	(Q'ty)					S/C	ICA
			DP222 LCS	DP222 LBS	DP222 LAS	DP222 LCF	DP222 LBF		
			DV 22 - 0 0 G 1 0	DV 22 - 0 0 G 1 1	DV 22 - 0 0 G 1 2	DV 22 - 0 0 G 1 3	DV 22 - 0 0 G 1 4		
1	65.04101-0375C	VALVE ; INTAKE	12	12	12	12	12		
2	65.04101-0367C	VALVE ; EXHAUST	12	12	12	12	12		
3	65.04102-6007	VALVE SPRING ASS'Y	24	24	24	24	24	AL	
3	65.04102-6030	VALVE SPRING ASS'Y	24	24	24	24	24	AL	
3-1	65.04102-0083A	SPRING ; VALVE (OUTER)	1	1	1	1	1		
3-2	65.04102-0084A	SPRING ; VALVE (INNER)	1	1	1	1	1		
4	65.04103-0074	RETAINER ; VALVE SPRING	24	24	24	24	24		
5	65.90701-0103	WASHER ; INNER	24	24	24	24	24		
6	65.90701-0104	WASHER ; OUTER	24	24	24	24	24		
7	65.04104-0023	COTTER ; VALVE	48	48	48	48	48	AL	
7	51.04104-0023	COTTER ; VALVE	48	48	48	48	48	AL	
8	65.04902-0027	SEAL ; VALVE STEM	24	24	24	24	24		

Fig.0420 ROCKER ARM

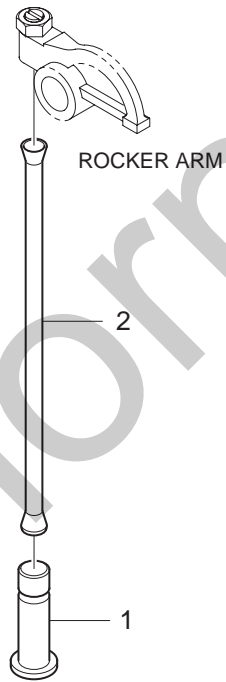


D042-DV22-002/120704

Fig.0420 ROCKER ARM

Key No	Part No	Part Name	(Q'ty)					S/C	ICA
			DP222 LCS	DP222 LBS	DP222 LAS	DP222 LCF	DP222 LBF		
			DV 22 - 0 0 G 1 0	DV 22 - 0 0 G 1 1	DV 22 - 0 0 G 1 2	DV 22 - 0 0 G 1 3	DV 22 - 0 0 G 1 4		
1	65.04200-6029A	ROCKER ARM ASS'Y	12	12	12	12	12		
1-1	65.04201-5020	ARM ; ROCKER	2	2	2	2	2		
1-1A	65.04201-1003	ARM ; ROCKER	1	1	1	1	1		
1-1B	65.93020-1011	BUSH ; ROCKER ARM	1	1	1	1	1		
1-2	65.04205-0021A	SCREW KIT ; ROCKER ARM	2	2	2	2	2		
1-3	65.90501-0049	NUT ; HEX.	2	2	2	2	2		
1-4	65.04202-5035	RETAINER BRACKET ASS'Y	1	1	1	1	1		
1-5	65.90701-0136B	WASHER	2	2	2	2	2		
1-6	06.29010-0120	RING ; SNAP	2	2	2	2	2		
2	65.90001-0146A	BOLT ; HEX.	24	24	24	24	24		

Fig.0430 TAPPET & PUSH ROD



D043-DV22-001/120704



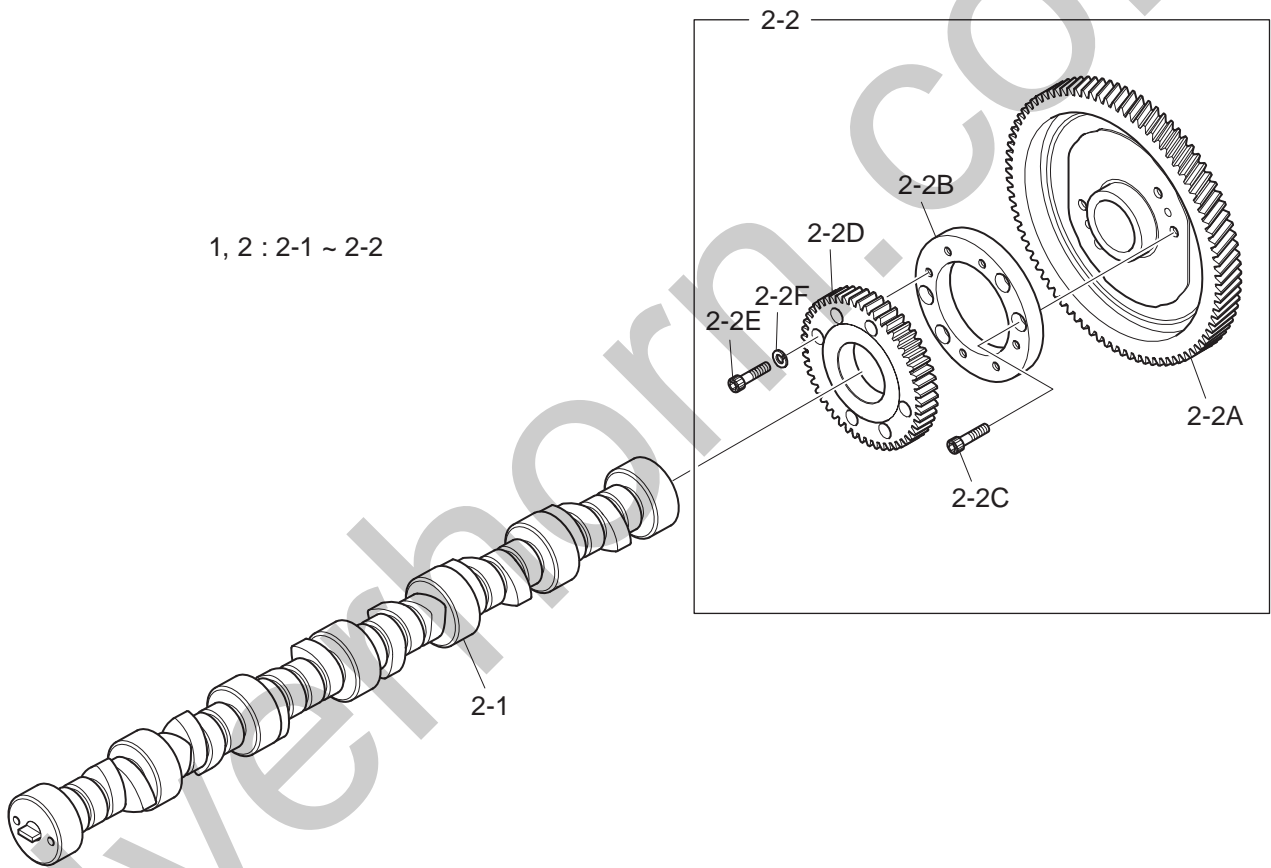
Fig.0430 TAPPET & PUSH ROD

Key No	Part No	Part Name	(Q'ty)					S/C	ICA
			DP222 LCS	DP222 LBS	DP222 LAS	DP222 LCF	DP222 LBF		
			DV 22 - 0 0 G 1 0	DV 22 - 0 0 G 1 1	DV 22 - 0 0 G 1 2	DV 22 - 0 0 G 1 3	DV 22 - 0 0 G 1 4		
1	65.04301-0079	TAPPET ; VALVE	24	24	24	24	24		
2	65.04302-0026	ROD ; PUSH	24	24	24	24	24		

Silverhorn.CO.UK

Fig.0440 CAMSHAFT

1, 2 : 2-1 ~ 2-2

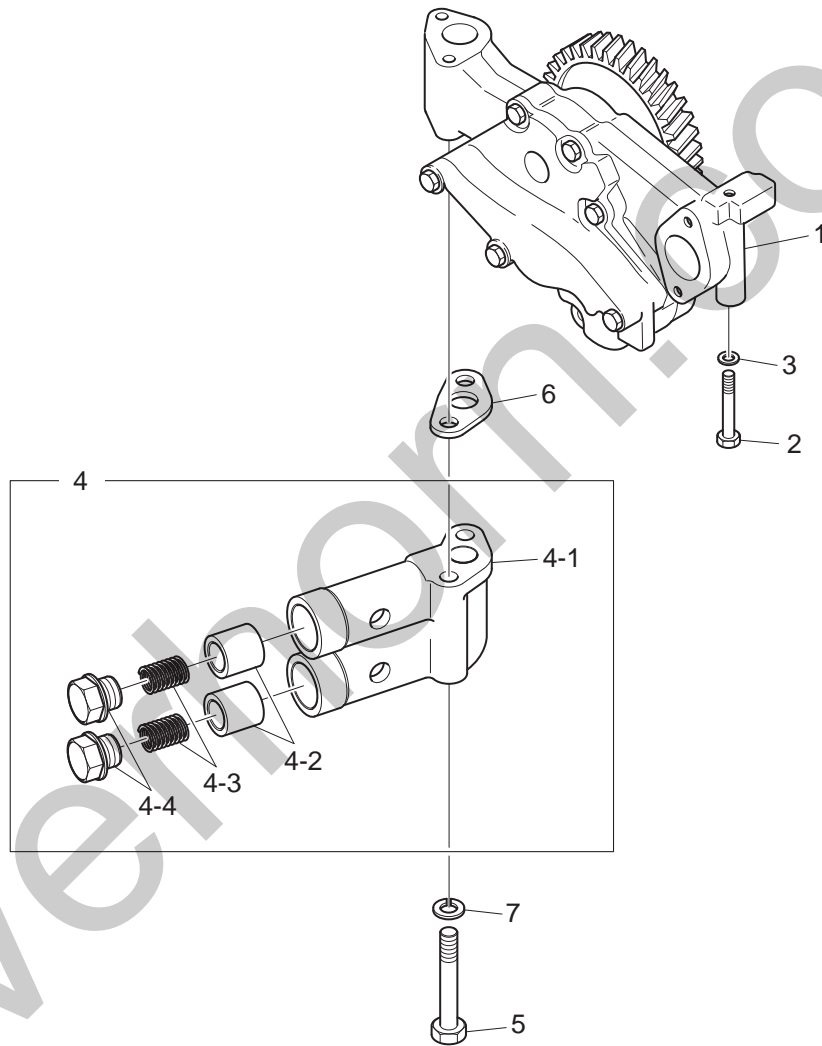


D044-DV22-001/120704

Fig.0440 CAMSHAFT

Key No	Part No	Part Name	(Q'ty)					S/C	ICA
			DP222 LCS	DP222 LBS	DP222 LAS	DP222 LCF	DP222 LBF		
			DV 22 - 0 0 0 0 1 0	DV 22 - 0 0 0 0 1 1	DV 22 - 0 0 0 0 1 2	DV 22 - 0 0 0 0 1 3	DV 22 - 0 0 0 0 1 4		
1	65.04401-8008	CAMSHAFT	1	1	1	1	1	NS	
2	65.04401-6003A	CAMSHAFT ASS'Y	1	1	1	1	1		
2-1	65.04401-0443	CAMSHAFT	1	1	1	1	1		
2-2	65.11300-6001B	DRIVE GEAR ASS'Y	1	1	1	1	1	NS	
2-2A	65.04501-0097	GEAR ; CAMSHAFT	1	1	1	1	1		
2-2B	65.11121-0002A	SPACER ; FOR DRIVE GEAR	1	1	1	1	1		
2-2C	65.90030-0024	BOLT ; SOCKET HEAD	4	4	4	4	4		
2-2D	65.11301-0018A	GEAR ; INJECTION PUMP DRIVE	1	1	1	1	1		
2-2E	06.02096-0412	BOLT ; SOCKET HEAD	6	6	6	6	6		
2-2F	06.16110-0106	WASHER	6	6	6	6	6		

Fig.0510 OIL PUMP

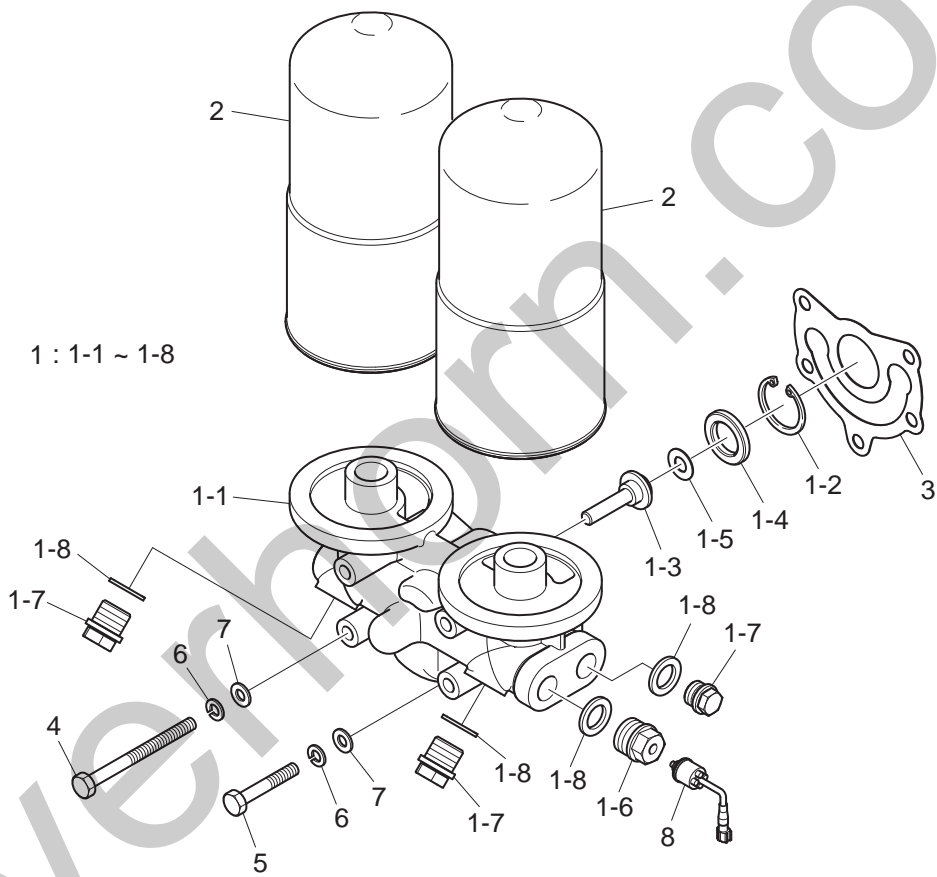


J051-DV18-006/120704

Fig.0510 OIL PUMP

Key No	Part No	Part Name	(Q'ty)					S/C	ICA
			DP222 LCS	DP222 LBS	DP222 LAS	DP222 LCF	DP222 LBF		
			DV 22 - 0 0 0 0 1 0	DV 22 - 0 0 0 0 1 1	DV 22 - 0 0 0 0 1 2	DV 22 - 0 0 0 0 1 3	DV 22 - 0 0 0 0 1 4		
1	65.05100-6043A	OIL PUMP ASS'Y	1	1	1	1	1		
2	06.01013-9124	BOLT M8x95	1	1	1	1	1		
3	06.16731-2107	WASHER	1	1	1	1	1		
4	65.05401-5024	RELIEF VALVE ASS'Y	1	1	1	1	1		
4-1	65.05406-0027	HOUSING ; RELIEF VALVE	1	1	1	1	1	NS	
4-2	65.05410-0006	PLUNGER ; RELIEF VALVE	1	1	1	1	1	NS	
4-3	65.97601-0102	SPRING ; REL.VALVE	1	1	1	1	1		
4-4	65.90310-0119	SCREW ; RELIEF VALVE	1	1	1	1	1		
5	06.01013-9129	BOLT M8x140	2	2	2	2	2		
6	65.05903A0006	GASKET ; RELIEF VALVE	1	1	1	1	1		
7	06.16731-2107	WASHER	2	2	2	2	2		

Fig.0550 OIL FILTER

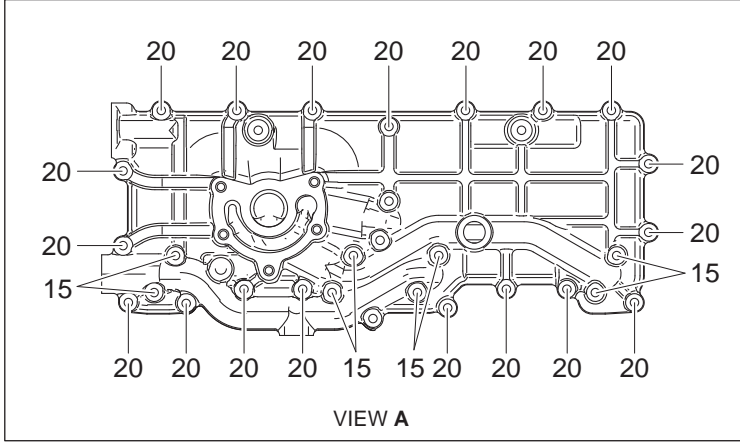
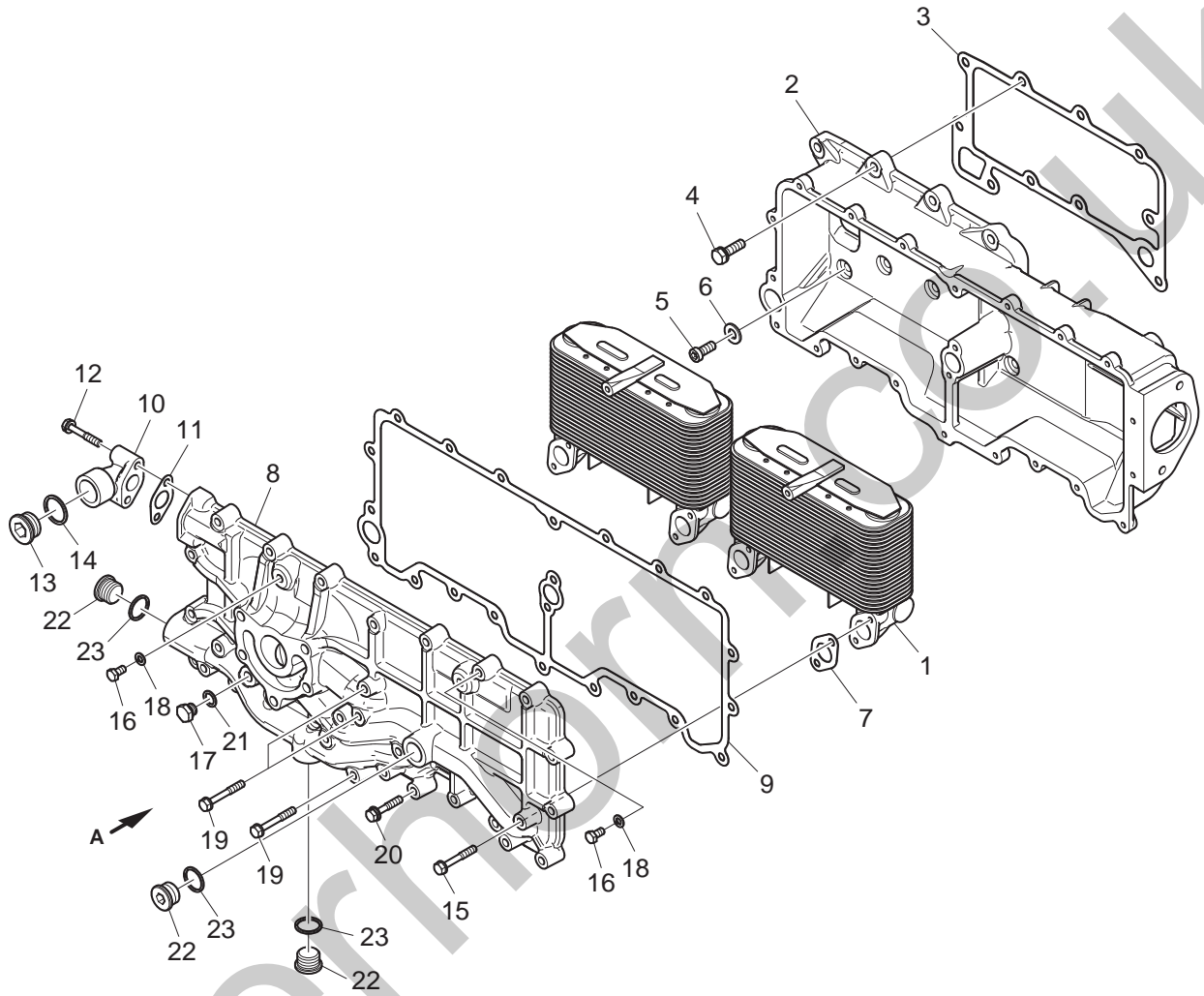


J055-GV15-001/120613

Fig.0550 OIL FILTER

Key No	Part No	Part Name	(Q'ty)					S/C	ICA
			DP222 LCS	DP222 LBS	DP222 LAS	DP222 LCF	DP222 LBF		
			DV 22 - 0 0 0 0 0 0 1 0	DV 22 - 0 0 0 0 0 0 1 1	DV 22 - 0 0 0 0 0 0 1 2	DV 22 - 0 0 0 0 0 0 1 3	DV 22 - 0 0 0 0 0 0 1 4		
1	65.05501-7087	ENGINE OIL FILTER ASS'Y	1	1	1	1	1		
1-1	65.05503-0043	HEAD ; OIL FILTER	1	1	1	1	1		
1-2	06.29020-0125	RING ; LOCK	1	1	1	1	1		
1-3	65.05518-0005	VALVE	1	1	1	1	1		
1-4	65.05541-0001	SEAT ; VALVE	1	1	1	1	1		
1-5	65.05517-0011	PLATE ; STOP	1	1	1	1	1		
1-6	65.98130-0226	ADAPTER	1	1	1	1	1		
1-7	06.08062-6208	SCREW ; PLUG	3	3	3	3	3		
1-8	06.56190-0722	RING ; SEAL	4	4	4	4	4		
2	65.05510-5020B	CARTRIDGE ; OIL FILTER	2	2	2	2	2	AL	
2	400508-00006	CARTRIDGE ; OIL FILTER	2	2	2	2	2	AL	
3	65.05901A0080	GASKET ; OIL FILTER COVER	1	1	1	1	1		
4	06.01013-9237	BOLT ; HEX.	4	4	4	4	4		
5	06.01284-7223	BOLT ; HEX.	1	1	1	1	1		
6	06.16731-2108	WASHER ; SPRING	5	5	5	5	5		
7	06.15010-2312	WASHER ; PLAIN	5	5	5	5	5		
8	301309-00022	SENSOR ; OIL PRESSURE	1	1	1	1	1		

Fig.0560 OIL COOLER



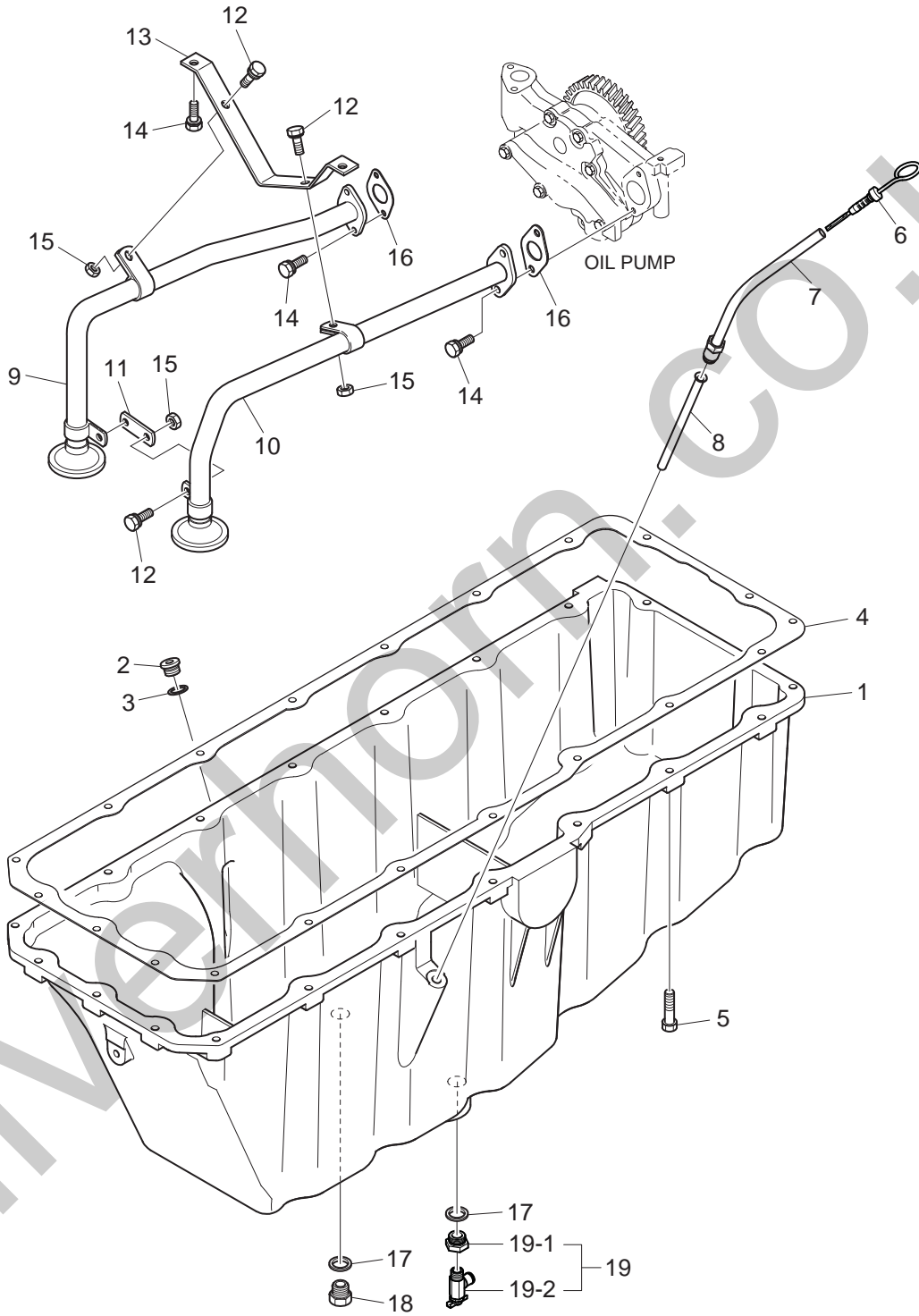
J056-DV22-008/130913



Fig.0560 OIL COOLER

Key No	Part No	Part Name	(Q'ty)					S/C	ICA
			DP222 LCS	DP222 LBS	DP222 LAS	DP222 LCF	DP222 LBF		
			DV 22 - 0 0 0 1 0	DV 22 - 0 0 0 1 1	DV 22 - 0 0 0 1 2	DV 22 - 0 0 0 1 3	DV 22 - 0 0 0 1 4		
1	65.05601-7135	OIL COOLER ASS'Y	2	2	2	2	2		
2	65.05604-0028	HOUSING ; OIL COOLER	1	1	1	1	1		
3	65.05901-0014	GASKET	1	1	1	1	1		
4	06.01914-3218	HEX. BOLT ASS'Y	5	5	5	5	5		
5	65.90030-0001	BOLT ; SOCKET HEAD	5	5	5	5	5		
6	120810-00112	WASHER	5	5	5	5	5		
7	65.96601-0221B	GASKET	4	4	4	4	4		
8	65.05605-0037A	HEAD ; OIL COOLER	1	1	1	1	1		
9	65.05902A0041	GASKET ; OIL COOLER HOUSING	1	1	1	1	1		
10	430215-00780	FLANGE	1	1	1	1	1		
11	65.05903-0030	GASKET	1	1	1	1	1		
12	06.01913-3121	BOLT ASS'Y M8x50	2	2	2	2	2		
13	65.90310-0134	SCREW ; PLUG	1	1	1	1	1		
14	06.56190-0732	RING ; SEAL	1	1	1	1	1		
15	06.01913-3122	BOLT ASS'Y M8x55	8	8	8	8	8		
16	06.01283-7112	BOLT ; HEX. M8x18	2	2	2	2	2		
17	06.08092-0204	SCREW ; PLUG M14x1.5	1	1	1	1	1		
18	06.16044-0210	WASHER ; SPRING	2	2	2	2	2		
19	06.01913-3123	BOLT ; HEX. M8x60	3	3	3	3	3		
20	06.01923-3120	BOLT ASS'Y M8x45	19	19	19	19	19		
21	06.56190-0706	RING ; SEAL A14x20	1	1	1	1	1		
22	65.90310-0133	SCREW ; PLUG	3	3	3	3	3		
23	06.56190-0726	RING ; SEAL	3	3	3	3	3		

Fig.0580 OIL PAN

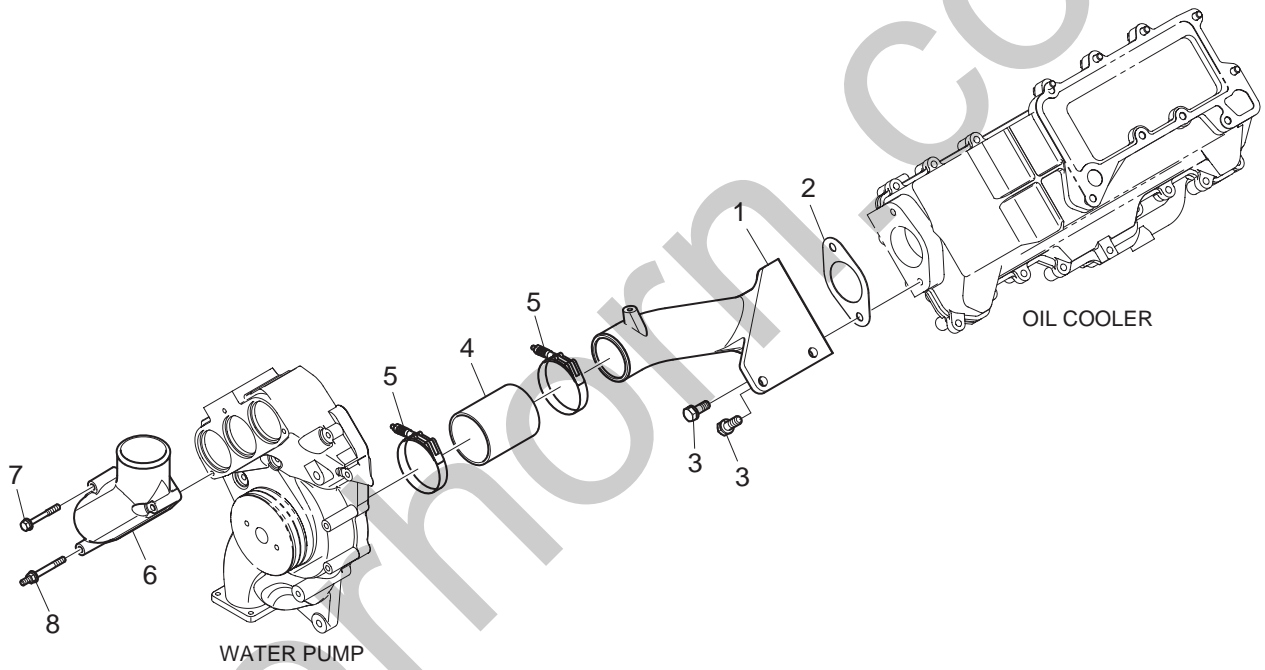


B058-DV22-005/130913

Fig.0580 OIL PAN

Key No	Part No	Part Name	(Q'ty)					S/C	ICA
			DP222	DP222	DP222	DP222	DP222		
			LCS	LBS	LAS	LCF	LBF		
			DV 22 0 0 0 0 0 0 0 0 0 0 1 0	DV 22 0 0 0 0 0 0 0 0 0 0 1 0	DV 22 0 0 0 0 0 0 0 0 0 0 1 0	DV 22 0 0 0 0 0 0 0 0 0 0 1 0	DV 22 0 0 0 0 0 0 0 0 0 0 1 0		
1	65.05801-5215A	PAN ; OIL	1	1	1	1	1		
2	65.90310-0131	SCREW ; PLUG	1	1	1	1	1		
3	06.56190-0713	RING ; SEAL A18x24	1	1	1	1	1		
4	65.05904-0105B	GASKET ; OIL PAN	1	1	1	1	1		
5	06.01923-3118	BOLT ASS'Y M8x35	20	20	20	20	20		
6	800108-00159	OIL LEVEL GAUGE ASS'Y	1	1	1	1	1		
7	65.05806-6085	PIPE ; OIL LEVEL GAUGE	1	1	1	1	1		
8	65.05806-0029	PIPE ; OIL LEVEL GAUGE	1	1	1	1	1		
9	65.05701-5582	PIPE ; OIL SUCTION	1	1	1	1	1		
10	65.05701-5804	OIL SUCTION PIPE ASS'Y	1	1	1	1	1		
11	65.97480-0422	HOLDER ; OIL SUCTION PIPE	1	1	1	1	1		
12	06.01913-3115	BOLT ASS'Y M8x25	4	4	4	4	4		
13	65.05740-0093	HOLDER ; OIL SUCTION PIPE	1	1	1	1	1		
14	06.01913-3113	BOLT ASS'Y M8x20	6	6	6	6	6		
15	06.11063-8214	NUT	4	4	4	4	4		
16	65.96601-0055	GASKET	2	2	2	2	2		
17	06.56190-0728	RING ; SEAL	2	2	2	2	2		
18	65.90310-0149A	SCREW ; PLUG M26x1.5	1	1	1	1	1		
19	460102-00029	DRAIN ASS'Y	1	1	1	1	1		
19-1	430201-00600	ADAPTER	1	1	1	1	1		
19-2	460102-00028	DRAIN	1	1	1	1	1		

Fig.0630 COOLING WATER PIPE

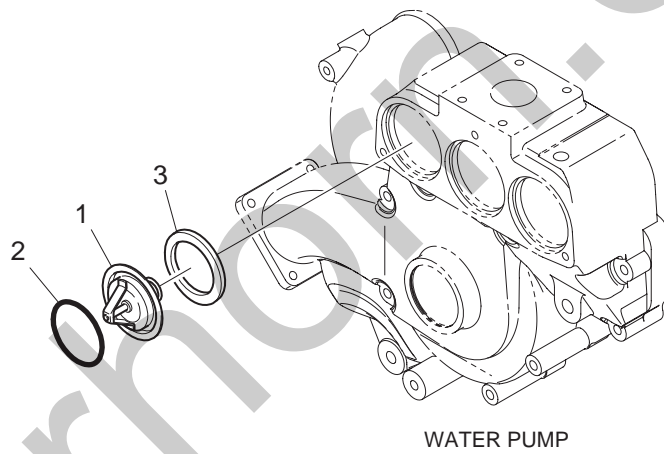


K063-DV22-017/130913

Fig.0630 COOLING WATER PIPE

Key No	Part No	Part Name	(Q'ty)					S/C	ICA
			DP222 LCS	DP222 LBS	DP222 LAS	DP222 LCF	DP222 LBF		
			DV 22 - 0 0 0 0 1 0	DV 22 - 0 0 0 0 1 1	DV 22 - 0 0 0 0 1 2	DV 22 - 0 0 0 0 1 3	DV 22 - 0 0 0 0 1 4		
1	65.06301-0303	PIPE ; COOLING WATER	1	1	1	1	1		
2	65.06903B0010	GASKET ; COOLING WATER PIPE	1	1	1	1	1		
3	06.01913-3318	BOLT ; HEX. M12x1.75x35	4	4	4	4	4		
4	420108-00158	HOSE ; RUBBER	1	1	1	1	1		
5	65.97440-5005	CLAMP ; HOSE	2	2	2	2	2		
6	65.06301-0368	PIPE ; COOLING WATER	1	1	1	1	1		
7	06.01923-3124	BOLT ASS'Y M8x65	1	1	1	1	1		
8	120122-00048	BOLT ; STAY	2	2	2	2	2		

Fig.0640 THERMOSTAT



WATER PUMP

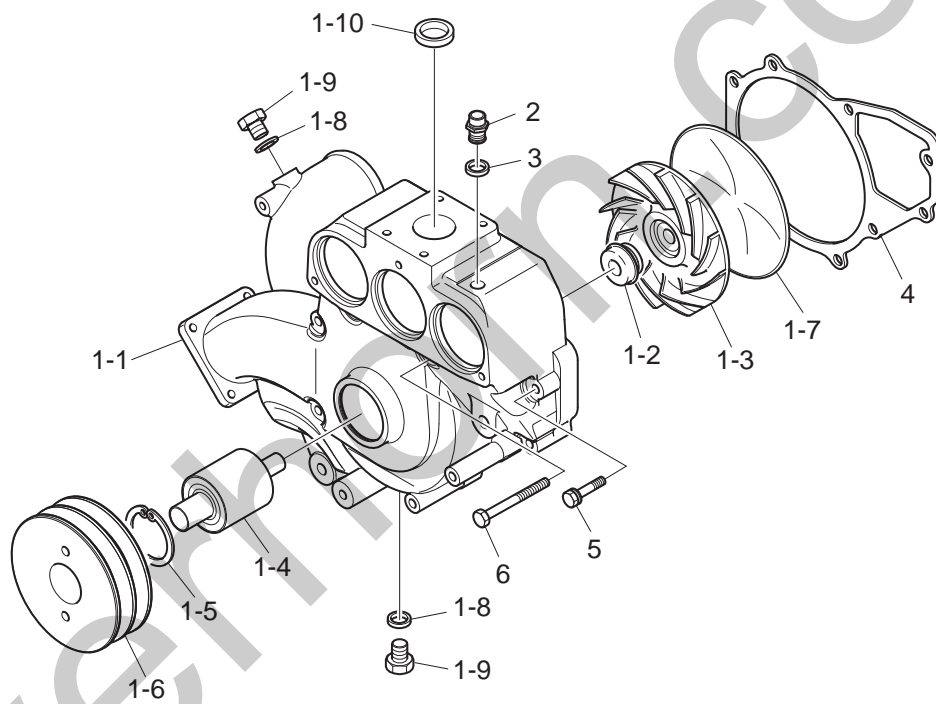
K064-DV15-002/120724

Fig.0640 THERMOSTAT

Key No	Part No	Part Name	(Q'ty)					S/C	ICA
			DP222 LCS	DP222 LBS	DP222 LAS	DP222 LCF	DP222 LBF		
			DV 22 - 0 0 0 0 1 0	DV 22 - 0 0 0 0 1 1	DV 22 - 0 0 0 0 1 2	DV 22 - 0 0 0 0 1 3	DV 22 - 0 0 0 0 1 4		
1	65.06402-0006	THERMOSTAT	3	3	3	3	3		
2	06.56342-1208	O-RING	3	3	3	3	3		
3	65.06901A0069	GASKET	3	3	3	3	3		

Fig.0650 WATER PUMP

1 : 1-1 ~ 1-10



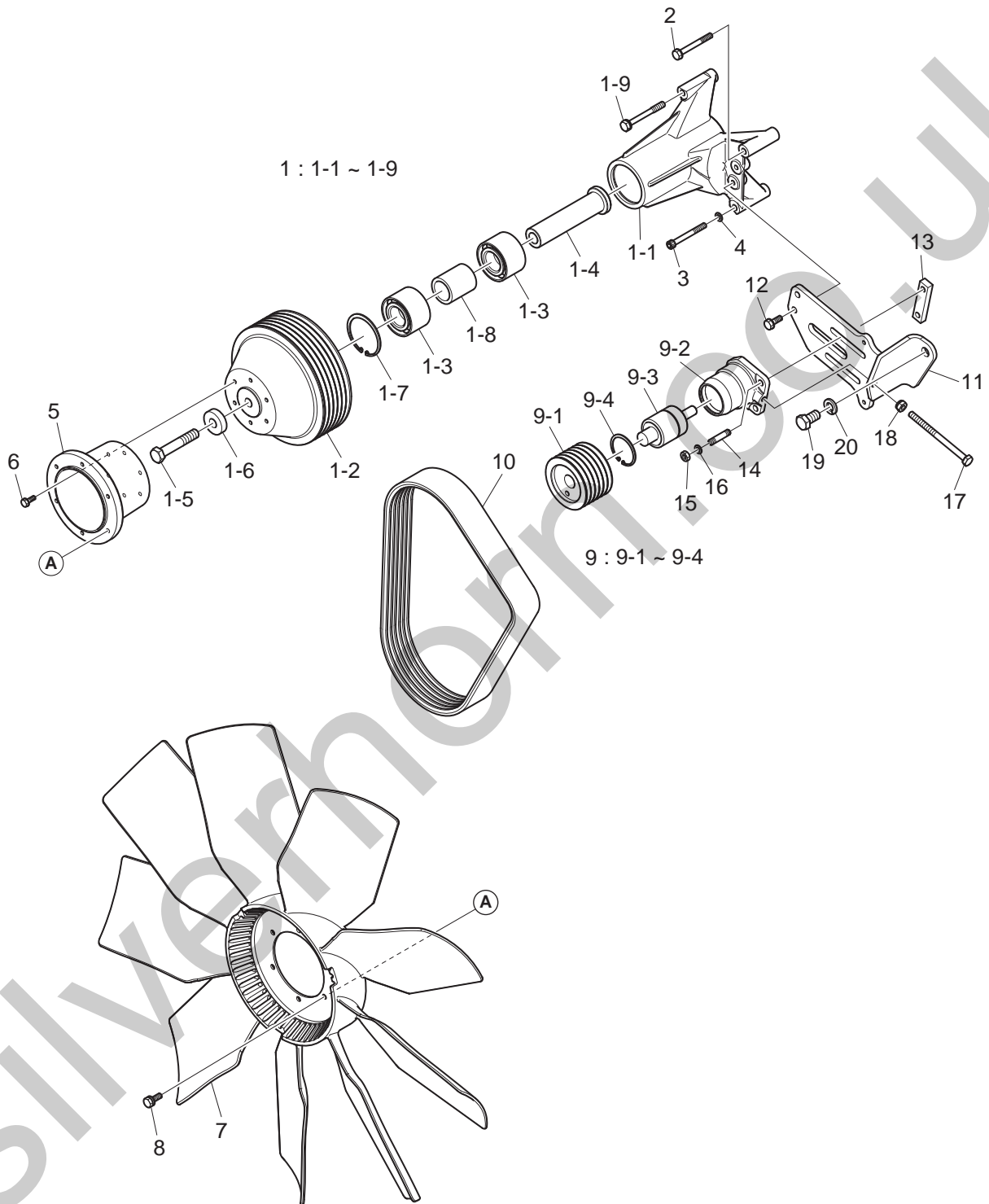
K065-DV15-004/120724



Fig.0650 WATER PUMP

Key No	Part No	Part Name	(Q'ty)					S/C	ICA
			DP222 LCS	DP222 LBS	DP222 LAS	DP222 LCF	DP222 LBF		
			DV 22 - 0 0 0 0 0 0 1 0	DV 22 - 0 0 0 0 0 0 1 1	DV 22 - 0 0 0 0 0 0 1 2	DV 22 - 0 0 0 0 0 0 1 3	DV 22 - 0 0 0 0 0 0 1 4		
1	400921-00021	WATER PUMP ASS'Y	1	1	1	1	1	AL	
1	400921-00091	WATER PUMP ASS'Y	1	1	1	1	1	AL	
1-1	65.06501-0082A	HOUSING ; WATER PUMP	1	1	1	1	1	NS	
1-2	65.06520-6007	SEAL ; MECHANICAL	1	1	1	1	1		
1-3	65.06506-6001A	IMPELLER ; WATER PUMP	1	1	1	1	1		
1-4	65.93410-0087	BEARING	1	1	1	1	1		
1-5	06.29020-0132	RING ; SNAP 55x2	1	1	1	1	1		
1-6	65.06503-0174	PULLEY ; V-BELT	1	1	1	1	1		
1-7	65.06512-0017A	COVER ; WATER PUMP	1	1	1	1	1		
1-8	06.56190-0709	RING ; SEAL	2	2	2	2	2		
1-9	06.08092-2405	PLUG ; SCREW M16x1.5	2	2	2	2	2		
1-10	65.90302-0026	PLUG ; CORE	1	1	1	1	1		
2	65.98131-0060	SCREW ; CONNECTION	1	1	1	1	1		
3	06.56190-0706	RING ; SEAL A14x20	1	1	1	1	1		
4	65.06901A0074	GASKET ; WATER PUMP	1	1	1	1	1		
5	06.01923-3122	BOLT ASS'Y M8x55	3	3	3	3	3		
6	06.01913-3128	BOLT M8x85	3	3	3	3	3		

Fig.0660 COOLING FAN

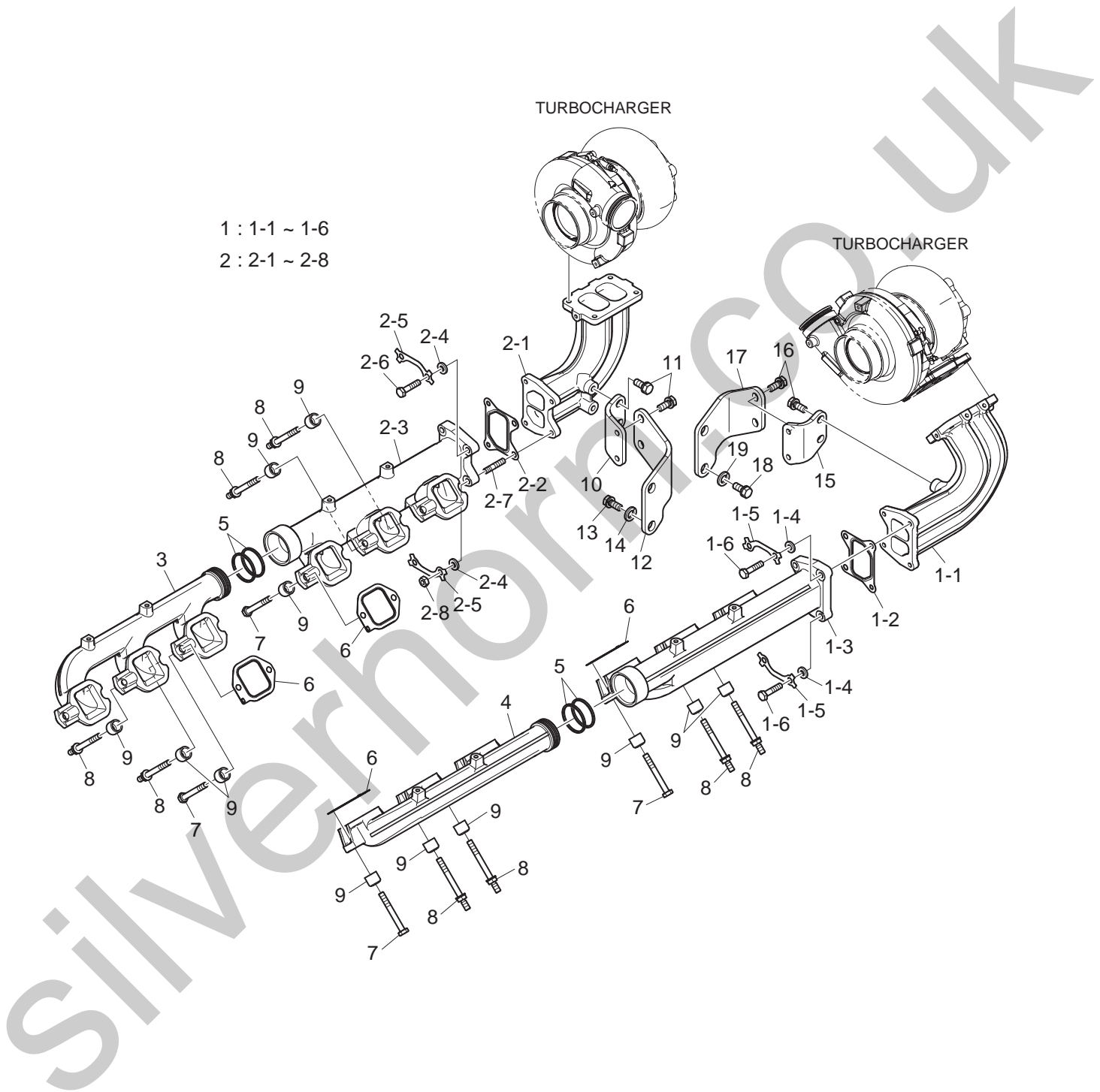


K066-DV22-004/130913

Fig.0660 COOLING FAN

Key No	Part No	Part Name	(Q'ty)					S/C	ICA
			DP222 LCS	DP222 LBS	DP222 LAS	DP222 LCF	DP222 LBF		
			DV 22 - 0 0 0 0 1 0	DV 22 - 0 0 0 0 1 1	DV 22 - 0 0 0 0 1 2	DV 22 - 0 0 0 0 1 3	DV 22 - 0 0 0 0 1 4		
1	110412-00094	FAN MOUNTING BRACKET ASS'Y	1	1	1	1	1		
1-1	110412-00070	BRACKET ; FAN MOUNTING	1	1	1	1	1		
1-2	130709-00054	PULLEY ; FAN	1	1	1	1	1		
1-3	51.93410-0073	BEARING ; ANGULAR BALL	2	2	2	2	2		
1-4	130712-00790	SHAFT ; FAN	1	1	1	1	1		
1-5	06.01494-4517	BOLT ; HEX.	1	1	1	1	1		
1-6	65.90710-0253	WASHER	1	1	1	1	1		
1-7	06.29020-0152	RING ; SNAP	1	1	1	1	1		
1-8	110951-01076	SPACER ; FAN	1	1	1	1	1		
1-9	06.01913-3229	BOLT ASS'Y M10x90	2	2	2	2	2		
2	06.01913-3229	BOLT ASS'Y M10x90	1	1	1	1	1		
3	06.02091-0527	BOLT ; SOCKET HEAD	1	1	1	1	1		
4	06.16110-0107	WASHER ; SPRING	1	1	1	1	1		
5	430215-00619	FLANGE ; FAN	1	1	1	1	1		
6	06.01913-3116	BOLT ; HEX. M8x28	6	6	6	6	6		
7	210101-00009	FAN ; COOLING	1	1	1	1	1		
8	06.01923-3117	BOLT ASS'Y M8x30	6	6	6	6	6		
9	130710-00052A	IDLE PULLEY ASS'Y	1	1	1	1	1		
9-1	130710-00048	PULLEY ; IDLE	1	1	1	1	1		
9-2	65.95840-0076	BRACKET ; IDLE PULLEY	1	1	1	1	1		
9-3	65.93410-0087	BEARING	1	1	1	1	1	AL	
9-3	140101-00040	BEARING	1	1	1	1	1	AL	
9-4	06.29020-0132	RING ; SNAP 55x2	1	1	1	1	1		
10	130205-00304	V-BELT	1	1	1	1	1		
11	110417-00052	BRACKET ; IDLE PULLEY	1	1	1	1	1		
12	06.01914-3215	BOLT ASS'Y M10x25	2	2	2	2	2		
13	65.95840-0079	BRACKET ; IDLE PULLEY	1	1	1	1	1		
14	06.06225-0809	BOLT ; STUD M10x35	2	2	2	2	2		
15	06.11063-8215	NUT ; HEX. M10	2	2	2	2	2		
16	06.16731-2108	WASHER ; SPRING	2	2	2	2	2		
17	06.01283-7235	BOLT ; HEX.	1	1	1	1	1		
18	06.11250-2106	NUT ; HEX.	1	1	1	1	1		
19	06.01283-7517	BOLT ; HEX.	1	1	1	1	1		
20	06.16731-2111	WASHER ; SPRING	1	1	1	1	1		

Fig.0810 EXHAUST MANIFOLD

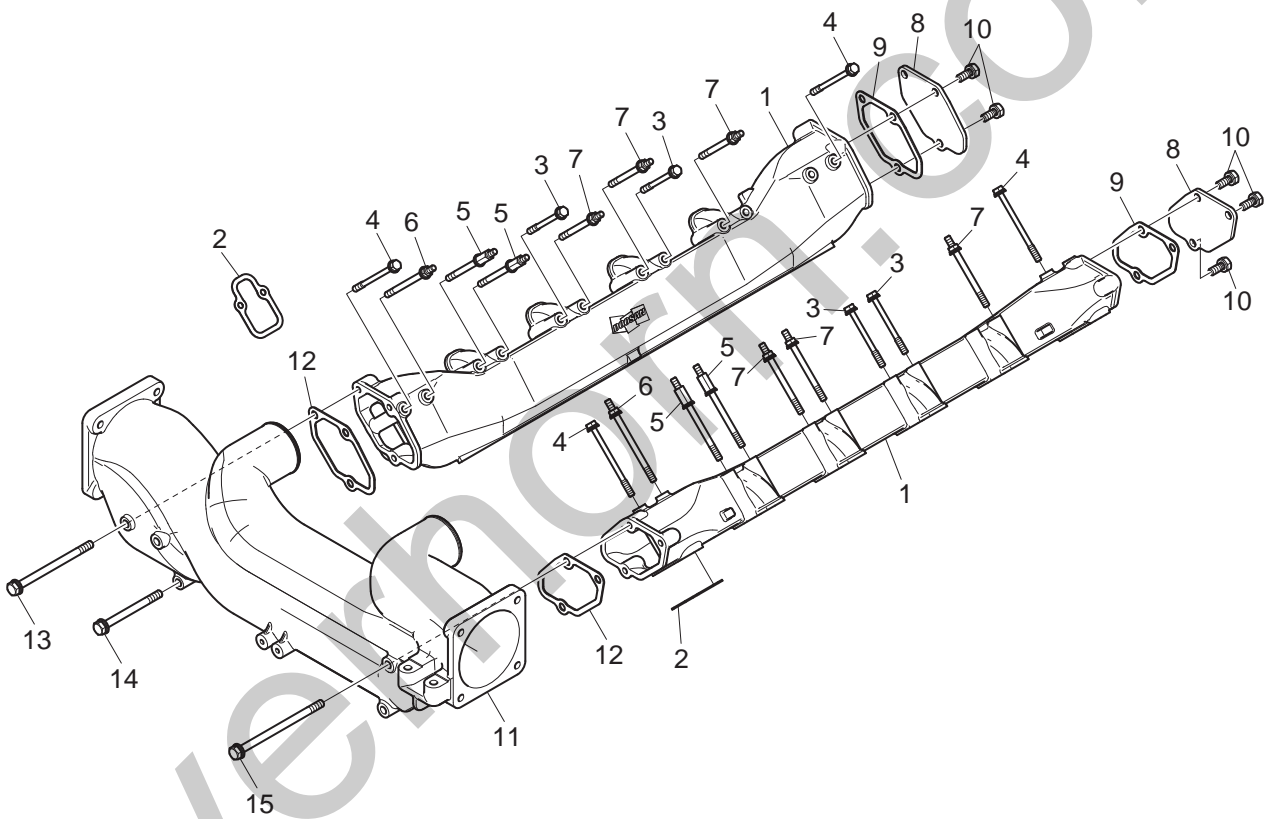


H081-DV22-013/130913

Fig.0810 EXHAUST MANIFOLD

Key No	Part No	Part Name	(Q'ty)					S/C	ICA
			DP222 LCS	DP222 LBS	DP222 LAS	DP222 LCF	DP222 LBF		
			DV 22 - 0 0 0 0 1 0	DV 22 - 0 0 0 0 1 1	DV 22 - 0 0 0 0 1 2	DV 22 - 0 0 0 0 1 3	DV 22 - 0 0 0 0 1 4		
1	240102-00278	EXHAUST MANIFOLD ASS'Y	1	1	1	1	1		
1-1	240102-00243	MANIFOLD ; EXHAUST	1	1	1	1	1		
1-2	65.08901-0060	GASKET	1	1	1	1	1		
1-3	240102-00213	MANIFOLD ; EXHAUST	1	1	1	1	1		
1-4	65.90701-0054	WASHER	4	4	4	4	4		
1-5	65.90801-0013	WASHER ; LOCK	2	2	2	2	2		
1-6	65.90001-0157	BOLT ; HEX.	4	4	4	4	4		
2	240102-00277	EXHAUST MANIFOLD ASS'Y	1	1	1	1	1		
2-1	240102-00242	MANIFOLD ; EXHAUST	1	1	1	1	1		
2-2	65.08901-0060	GASKET	1	1	1	1	1		
2-3	240102-00211	MANIFOLD ; EXHAUST	1	1	1	1	1		
2-4	65.90701-0054	WASHER	4	4	4	4	4		
2-5	65.90801-0013	WASHER ; LOCK	2	2	2	2	2		
2-6	65.90001-0157	BOLT ; HEX.	3	3	3	3	3		
2-7	65.90201-0080	BOLT ; STUD	1	1	1	1	1		
2-8	06.11063-8215	NUT ; HEX. M10	1	1	1	1	1		
3	240102-00210	MANIFOLD ; EXHAUST	1	1	1	1	1		
4	240102-00212	MANIFOLD ; EXHAUST	1	1	1	1	1		
5	65.98701-0005	RING ; LAMINATED	4	4	4	4	4		
6	65.08901-0047	GASKET ; EXHAUST MANIFOLD	12	12	12	12	12		
7	65.90001-0156	BOLT ; HEX.	16	16	16	16	16		
8	65.90001-0155A	BOLT ; HEX.	8	8	8	8	8		
9	65.91701-0541	SPACER	24	24	24	24	24		
10	110443-00048	BRACKET ; EXHAUST ELBOW	1	1	1	1	1		
11	06.01943-3317	BOLT ASS'Y M12x1.5x30	4	4	4	4	4		
12	110443-00049	BRACKET ; EXHAUST ELBOW	1	1	1	1	1		
13	06.01494-4507	BOLT ; HEX.	2	2	2	2	2		
14	06.16731-2111	WASHER ; SPRING	2	2	2	2	2		
15	110443-00050	BRACKET ; EXHAUST ELBOW	1	1	1	1	1		
16	06.01943-3317	BOLT ASS'Y M12x1.5x30	4	4	4	4	4		
17	110443-00051	BRACKET ; EXHAUST ELBOW	1	1	1	1	1		
18	06.01494-4507	BOLT ; HEX.	2	2	2	2	2		
19	06.16731-2111	WASHER ; SPRING	2	2	2	2	2		

Fig.0820 INTAKE MANIFOLD

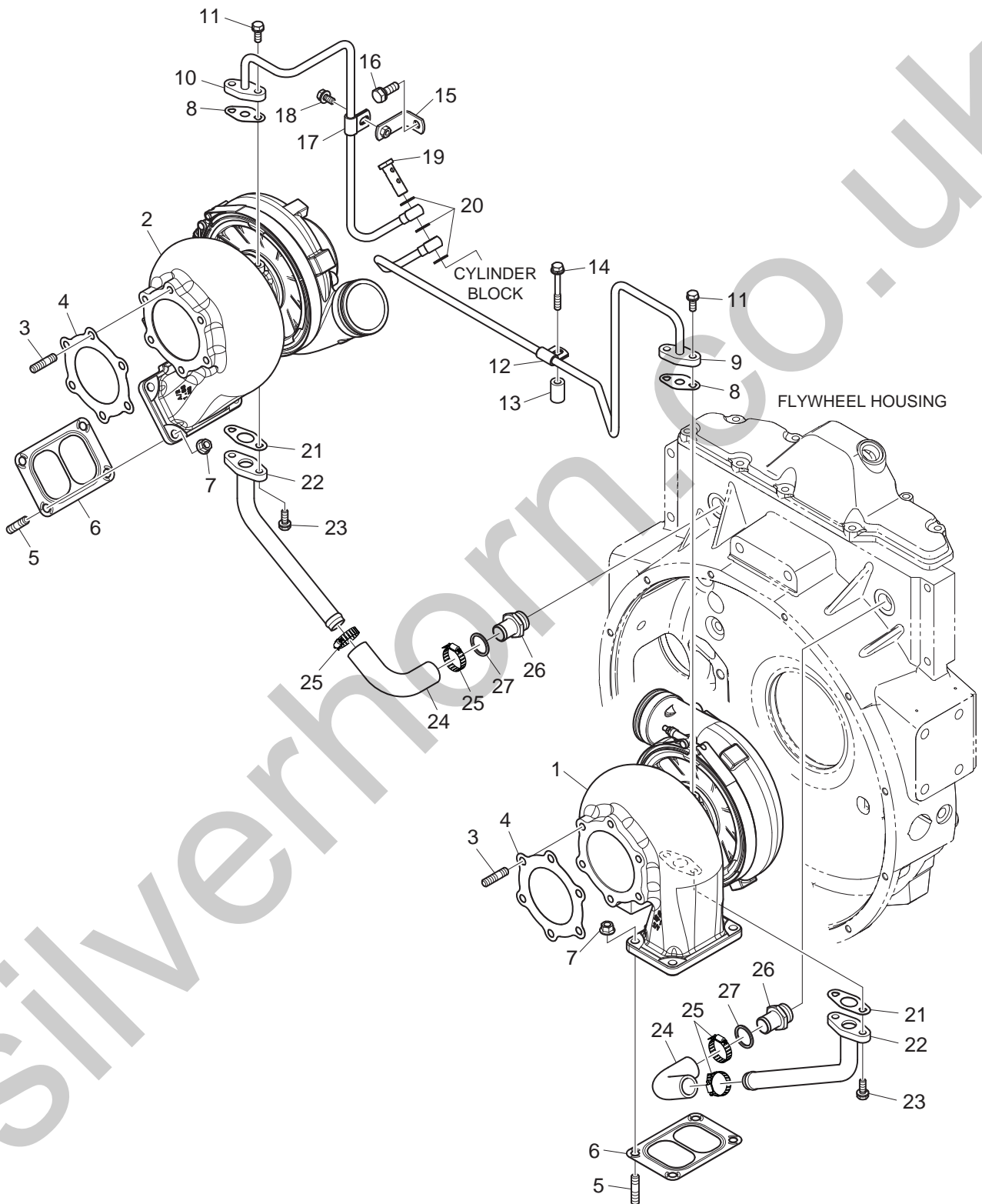


H082-DV22-012/130913

Fig.0820 INTAKE MANIFOLD

Key No	Part No	Part Name	(Q'ty)					S/C	ICA
			DP222 LCS	DP222 LBS	DP222 LAS	DP222 LCF	DP222 LBF		
			DV 22 - 0 0 0 0 1 0	DV 22 - 0 0 0 0 1 1	DV 22 - 0 0 0 0 1 2	DV 22 - 0 0 0 0 1 3	DV 22 - 0 0 0 0 1 4		
1	240203-00128	MANIFOLD ; INTAKE	2	2	2	2	2		
2	65.08902-0078D	GASKET ; INTAKE MANIFOLD	12	12	12	12	12		
3	06.01923-3129	BOLT ASS'Y M8x90	4	4	4	4	4		
4	06.01923-3132	BOLT ASS'Y M8x110	4	4	4	4	4		
5	120122-00043	BOLT ; STAY	4	4	4	4	4		
6	120122-00044	BOLT ; STAY	2	2	2	2	2		
7	120122-00050	BOLT ; STAY	6	6	6	6	6		
8	65.08203-0001A	COVER ; INTAKE	2	2	2	2	2		
9	65.08902A0057	GASKET	2	2	2	2	2		
10	06.01913-3215	BOLT ASS'Y M10x25	5	5	5	5	5		
11	420209-00246	PIPE ; AIR INLET	1	1	1	1	1		
12	65.08902A0057	GASKET	2	2	2	2	2		
13	120106-00508	BOLT ASS'Y	2	2	2	2	2		
14	120106-00507	BOLT ASS'Y	1	1	1	1	1		
15	120106-00509	BOLT ASS'Y	3	3	3	3	3		

Fig.0910 TURBOCHARGER



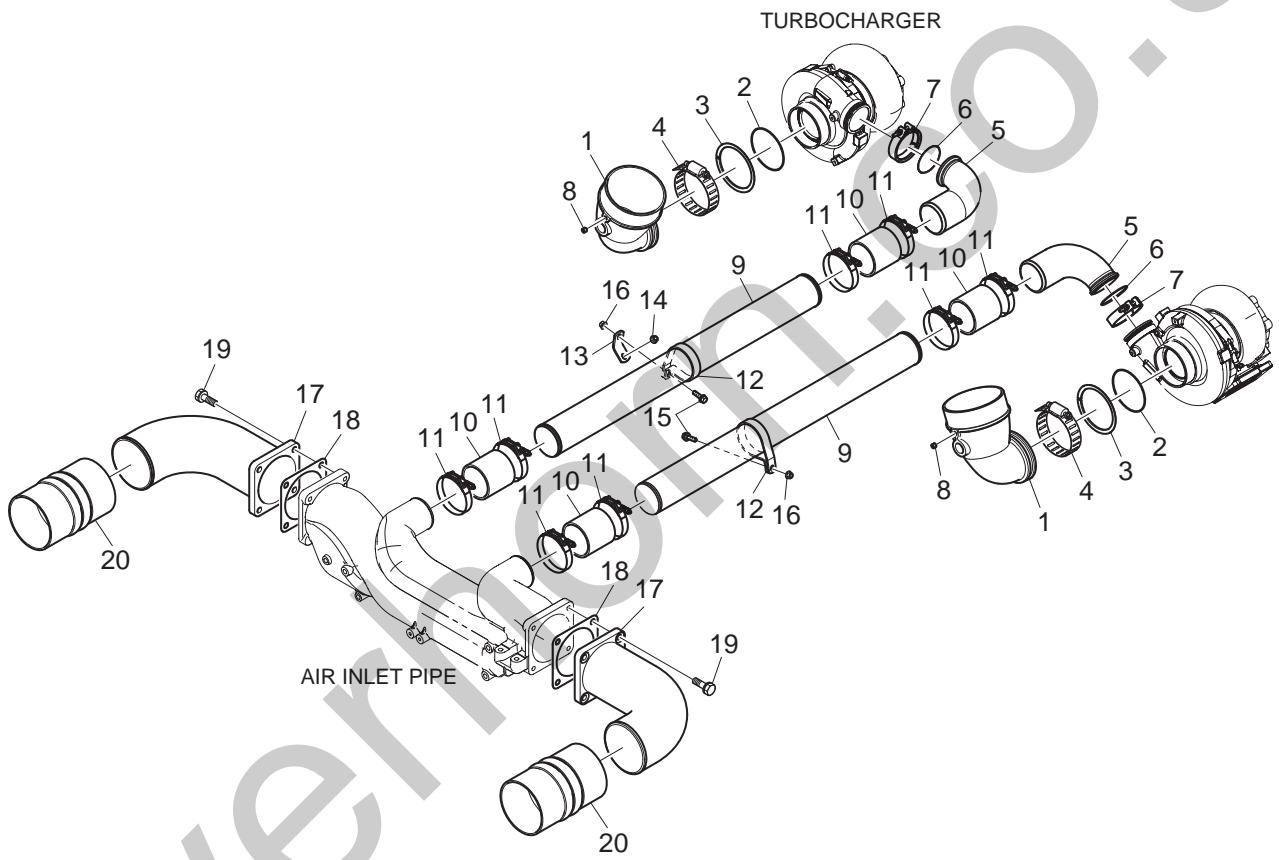
H091-DV22-016/130913



Fig.0910 TURBOCHARGER

Key No	Part No	Part Name	(Q'ty)					S/C	ICA
			DP222 LCS	DP222 LBS	DP222 LAS	DP222 LCF	DP222 LBF		
			DV 22 - 0 0 0 1 0	DV 22 - 0 0 0 1 1	DV 22 - 0 0 0 1 2	DV 22 - 0 0 0 1 3	DV 22 - 0 0 0 1 4		
1	150105-00438	TURBOCHARGER ASS'Y	1	1	1	1	1		
2	150105-00439	TURBOCHARGER ASS'Y	1	1	1	1	1		
3	06.06226-0808	BOLT ; STUD M10x30	12	12	12	12	12		
4	65.08901-0063	GASKET ; EXHAUST ELBOW	2	2	2	2	2		
5	65.90201-0076	BOLT ; STUD	8	8	8	8	8		
6	65.09901-0033	GASKET ; TURBOCHARGER	2	2	2	2	2		
7	65.90535-0001	NUT	8	8	8	8	8		
8	65.96601-0046B	GASKET ; OIL PIPE ADAPTER	2	2	2	2	2	AL	
8	400612-00031	GASKET ; OIL PIPE ADAPTER	2	2	2	2	2	AL	
9	420214-00249	PIPE ; OIL DELIVERY	1	1	1	1	1		
10	420214-00250	PIPE ; OIL DELIVERY	1	1	1	1	1		
11	120106-00191	BOLT ; HEX.	4	4	4	4	4		
12	65.97401-0110A	CLIP ; PIPE	1	1	1	1	1		
13	65.91701-0086	SPACER	1	1	1	1	1		
14	06.01923-3124	BOLT ASS'Y M8x65	1	1	1	1	1		
15	110928-00360	HOLDER	1	1	1	1	1		
16	06.01913-3217	BOLT M10x30	1	1	1	1	1		
17	65.97401-0110A	CLIP ; PIPE	1	1	1	1	1		
18	06.01923-3112	BOLT ASS'Y M8x18	1	1	1	1	1		
19	65.98150-0071	SCREW ; HOLLOW	1	1	1	1	1		
20	06.56190-0706	RING ; SEAL A14x20	3	3	3	3	3		
21	65.96601-0067	GASKET ; TURBOCHARGER OIL RETURN	2	2	2	2	2	AL	
21	400612-00028	GASKET ; TURBOCHARGER OIL RETURN	2	2	2	2	2	AL	
22	420217-00227	PIPE ; OIL RETURN	2	2	2	2	2		
23	120106-00191	BOLT ; HEX.	4	4	4	4	4		
24	420107-00301	HOSE ; OIL	2	2	2	2	2		
25	65.97440-0004A	CLAMP ; HOSE	4	4	4	4	4		
26	65.98131-0071	CONNECTION ; SCREW	2	2	2	2	2		
27	06.56190-0728	RING ; SEAL	2	2	2	2	2		

Fig.0940 INTAKE STAKE

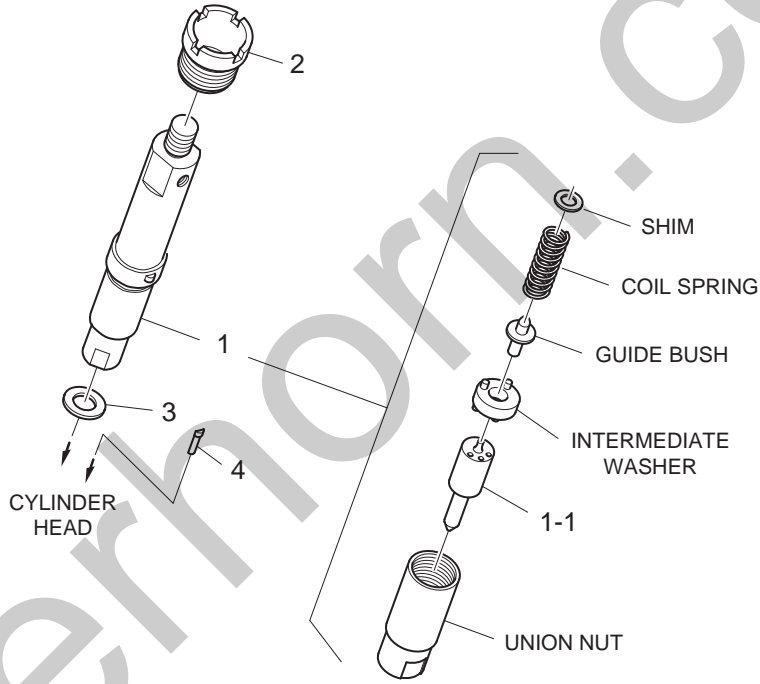


H094-DV22-017/130913

Fig.0940 INTAKE STAKE

Key No	Part No	Part Name	(Q'ty)					S/C	ICA
			DP222 LCS	DP222 LBS	DP222 LAS	DP222 LCF	DP222 LBF		
			DV 22 - 0 0 0 0 1 0	DV 22 - 0 0 0 0 1 1	DV 22 - 0 0 0 0 1 2	DV 22 - 0 0 0 0 1 3	DV 22 - 0 0 0 0 1 4		
1	240401-00140	STAKE ; INTAKE	2	2	2	2	2		
2	65.96501-0075	O-RING	2	2	2	2	2		
3	65.08212-0002	INSERT	2	2	2	2	2		
4	65.97450-5006	V-CLAMP	2	2	2	2	2		
5	420209-00196	PIPE ; INLET	2	2	2	2	2		
6	65.96501-0420	O-RING	2	2	2	2	2		
7	65.97450-5001A	CLAMP	2	2	2	2	2		
8	65.90320-0022	PLUG ; SCREW	2	2	2	2	2		
9	420209-00245	PIPE ; INLET	2	2	2	2	2		
10	420108-00152	HOSE ; RUBBER	4	4	4	4	4		
11	65.97440-5005	CLAMP ; HOSE	8	8	8	8	8		
12	120402-00444	CLIP ; AIR PIPE	2	2	2	2	2		
13	110928-00480	HOLDER	1	1	1	1	1		
14	65.90535-0003	NUT	1	1	1	1	1		
15	06.01923-3117	BOLT ASS'Y M8x30	2	2	2	2	2		
16	65.90535-0003	NUT	2	2	2	2	2		
17	420209-00197	PIPE ; INLET	2	2	2	2	2		
18	65.09905-0012	GASKET ; INTERCOOLER	2	2	2	2	2		
19	06.01953-3320	BOLT ASS'Y	8	8	8	8	8		
20	420108-00111	HOSE ; RUBBER	2	2	2	2	2		

Fig.1010 INJECTION NOZZLE

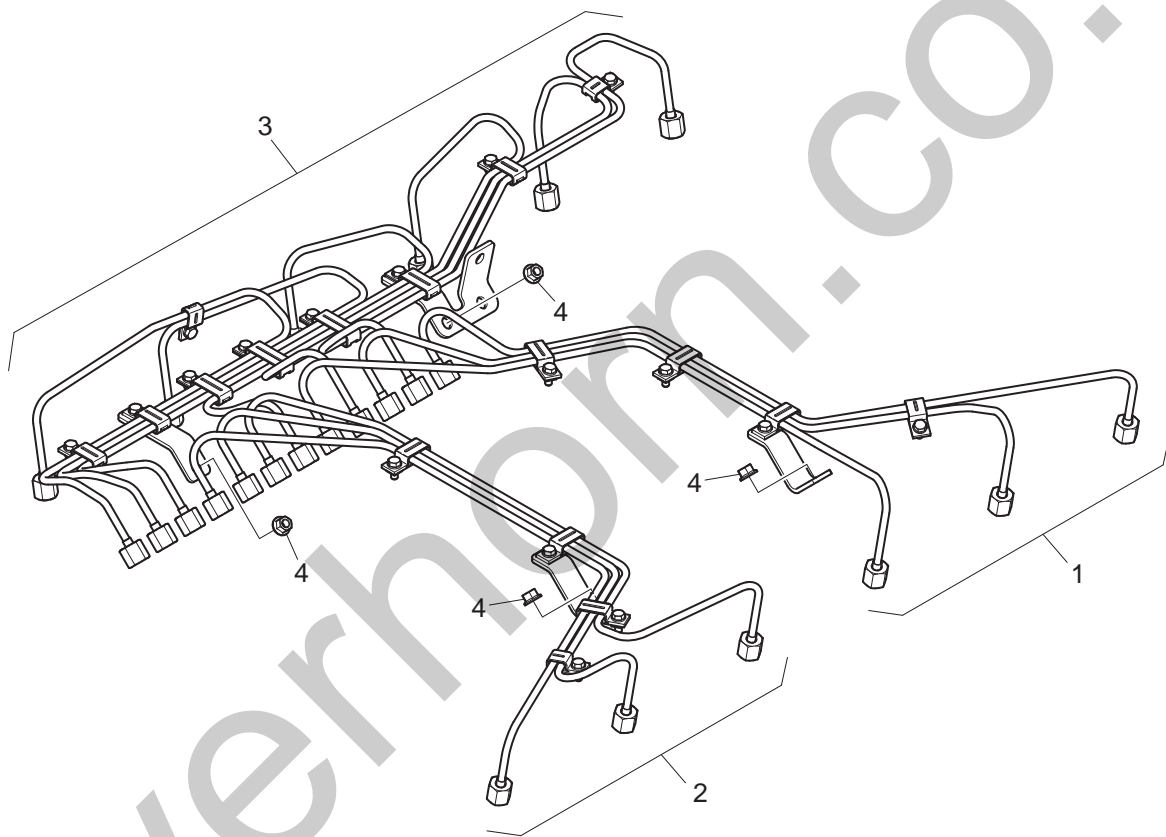


L101-DV22-004/130913

Fig.1010 INJECTION NOZZLE

Key No	Part No	Part Name	(Q'ty)					S/C	ICA
			DP222 LCS	DP222 LBS	DP222 LAS	DP222 LCF	DP222 LBF		
			DV 22 - 0 0 0 0 1 0	DV 22 - 0 0 0 0 1 1	DV 22 - 0 0 0 0 1 2	DV 22 - 0 0 0 0 1 3	DV 22 - 0 0 0 0 1 4		
1	65.10101-7051	NOZZLE HOLDER ASS'Y	12	12	12	12	12		
1-1	65.10102-6047	NOZZLE ; INJECTION	1	1	1	1	1		
2	65.10108-0006	SCREW KIT ; PRESSURE	12	12	12	12	12		
3	65.98701-0075	RING ; SEAL	12	12	12	12	12		
4	65.98701-0006	SEAL ; NOZZLE HOLDER HOLE	12	12	12	12	12		

Fig.1030 INJECTION PIPE

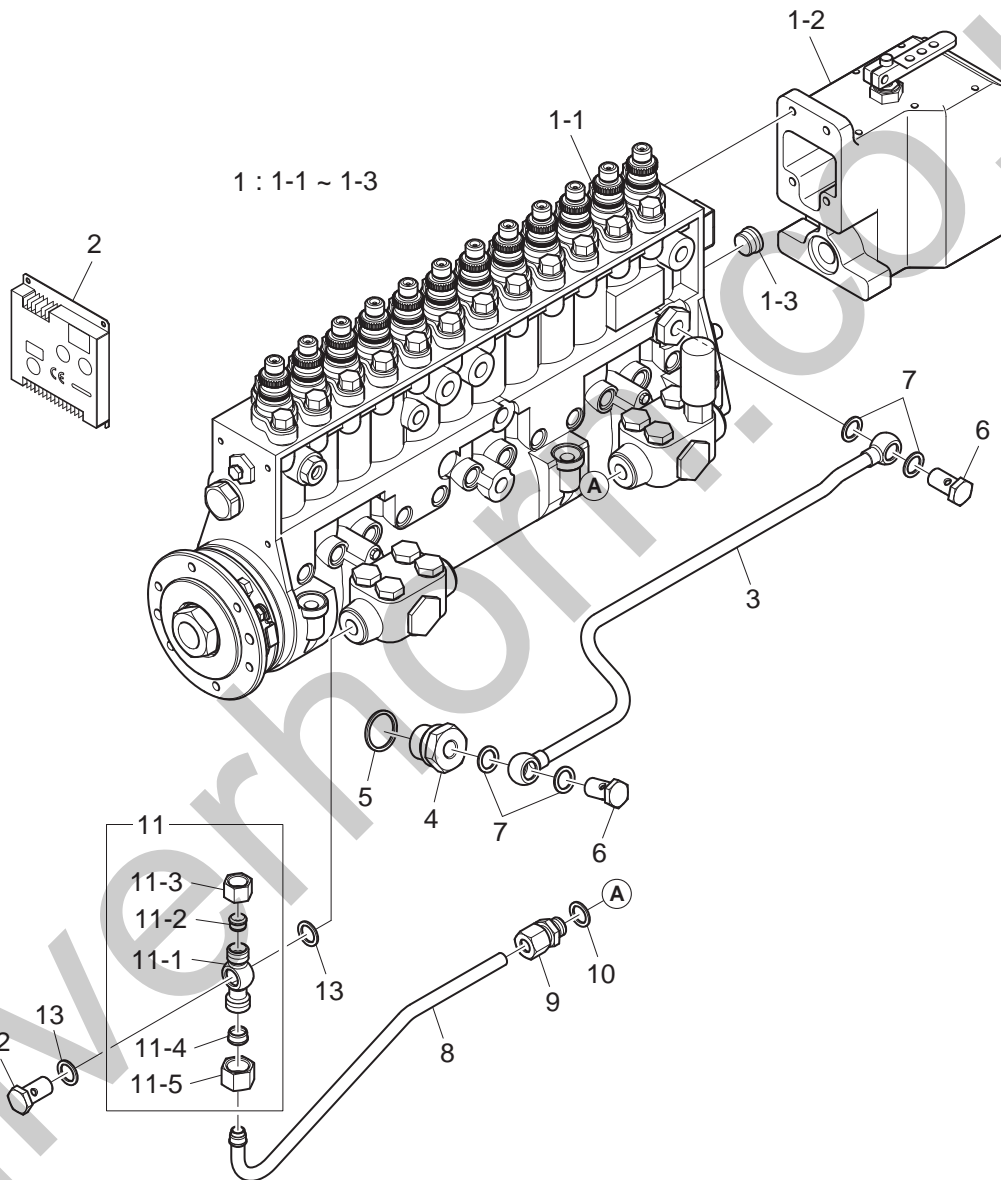


L103-DV22-010/130913

Fig.1030 INJECTION PIPE

Key No	Part No	Part Name	(Q'ty)					S/C	ICA
			DP222 LCS	DP222 LBS	DP222 LAS	DP222 LCF	DP222 LBF		
			DV 22 - 0 0 0 0 1 0	DV 22 - 0 0 0 0 1 1	DV 22 - 0 0 0 0 1 2	DV 22 - 0 0 0 0 1 3	DV 22 - 0 0 0 0 1 4		
1	420208-00446A	INJECTION PIPE ASS'Y	1	1	1	1	1		
2	420208-00444A	INJECTION PIPE ASS'Y	1	1	1	1	1		
3	420208-00442B	INJECTION PIPE ASS'Y	1	1	1	1	1		
4	65.90535-0003	NUT	4	4	4	4	4		

Fig.1110 INJECTION PUMP(1)



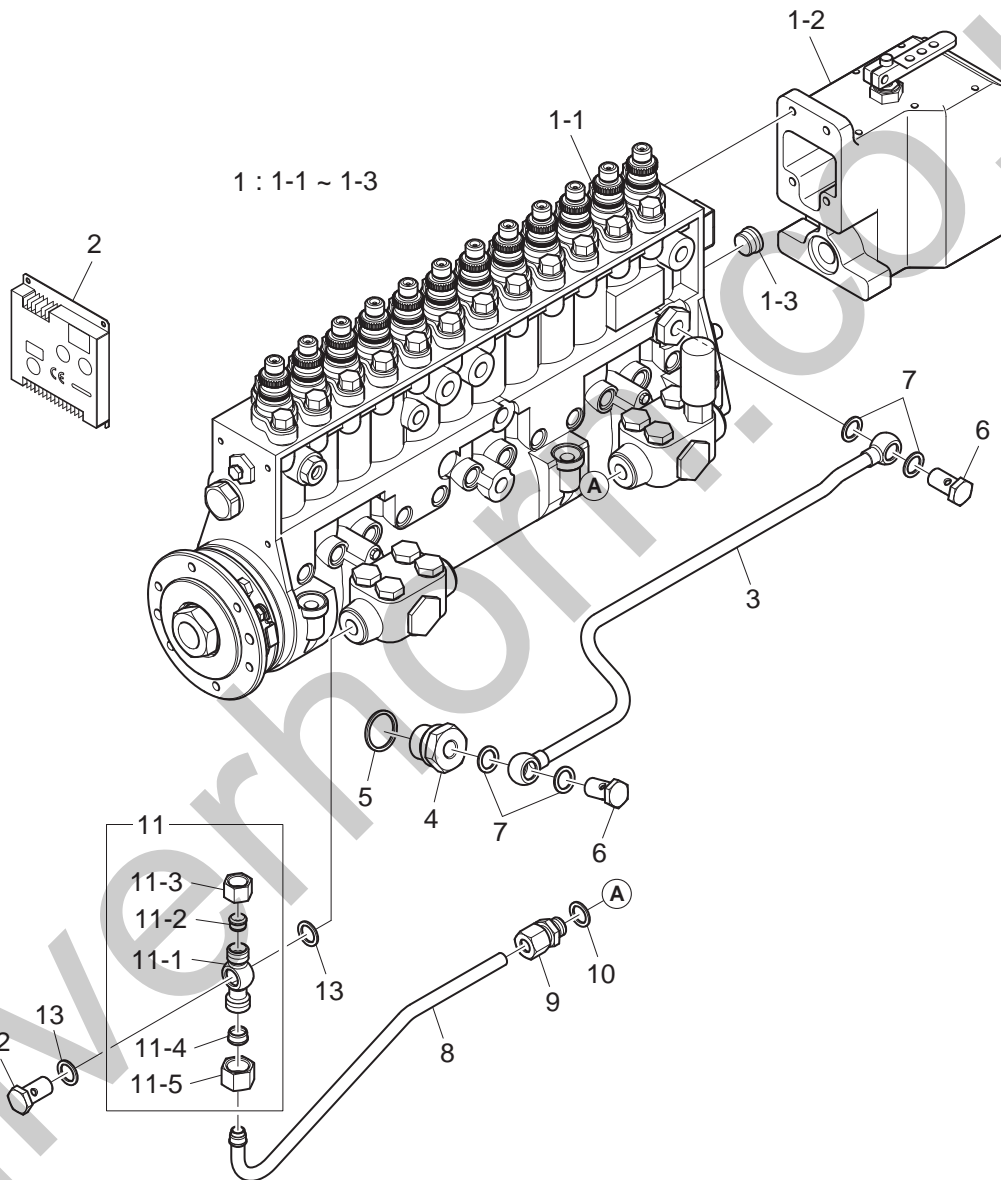
L111-DV22-020/130913



Fig.1110 INJECTION PUMP(1)

Key No	Part No	Part Name	(Q'ty)					S/C	ICA
			DP222 LCS	DP222 LBS	DP222 LAS	DP222 LCF	DP222 LBF		
			DV 22 - 00 00 10	DV 22 - 00 00 11	DV 22 - 00 00 12	DV 22 - 00 00 13	DV 22 - 00 00 14		
1	400912-00028	INJECTION PUMP ASS'Y				1	1		
1-1	65.11101-7303	PUMP ; INJECTION				1	1		
1-2	65.11501-7006C	GOVERNOR ASS'Y				1	1		
1-3	65.90310-0129	SCREW ; PLUG				1	1		
2	300611-00683	CONTROLLER				1	1		
3	65.05701-5360	PIPE ; OIL				1	1		
4	65.98130-0151	ADAPTER				1	1		
5	06.56190-0726	RING ; SEAL				1	1		
6	06.78144-2204	SCREW ; HOLLOW				2	2		
7	06.56190-0706	RING ; SEAL A14x20				4	4		
8	420204-00027	PIPE ; FUEL				1	1		
9	06.71010-0213	FITTING ; PIPE				1	1		
10	06.56190-0706	RING ; SEAL A14x20				1	1		
11	430228-00012	BANJO UNION ASS'Y				1	1		
11-1	430228-00013	UNION ; BANJO				1	1	NS	
11-2	06.71024-0107	RING ; DIE				1	1	NS	
11-3	06.71030-8113	NUT ; UNION				1	1	NS	
11-4	06.71024-0108	RING ; DIE				1	1	NS	
11-5	06.71030-8114	NUT ; UNION				1	1	NS	
12	06.78144-2204	SCREW ; HOLLOW				1	1		
13	06.56190-0706	RING ; SEAL A14x20				2	2		

Fig.1110 INJECTION PUMP(2)

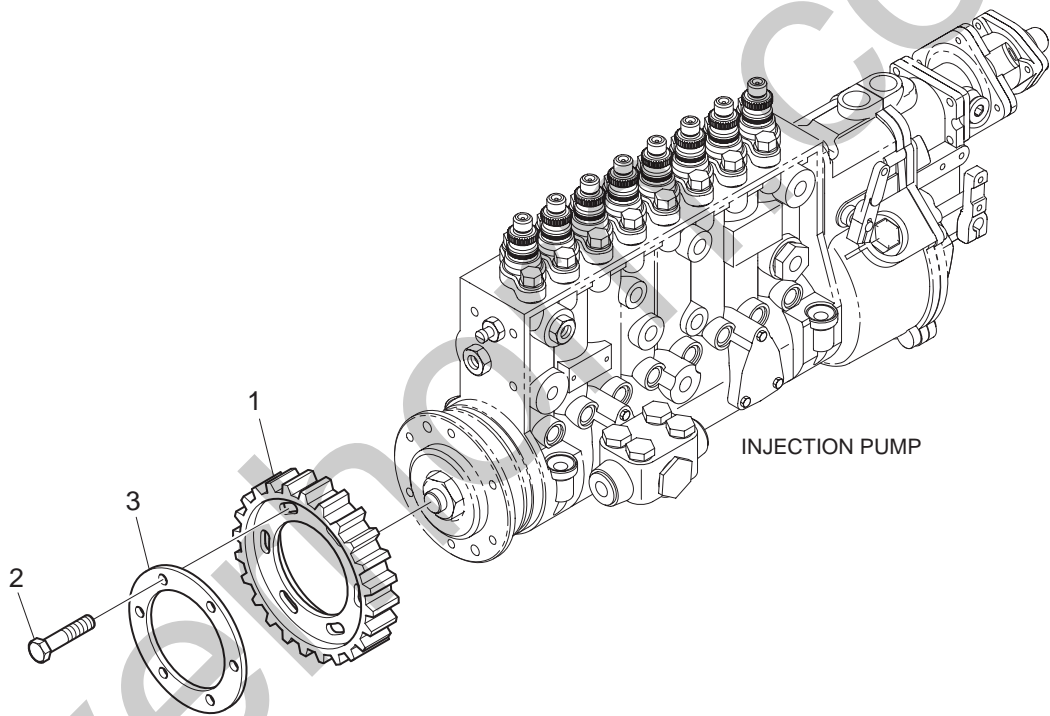


L111-DV22-021/130913

Fig.1110 INJECTION PUMP(2)

Key No	Part No	Part Name	(Q'ty)					S/C	ICA
			DP222 LCS	DP222 LBS	DP222 LAS	DP222 LCF	DP222 LBF		
			DV 22 - 0 0 0 0 0 0 1 0	DV 22 - 0 0 0 0 0 0 1 1	DV 22 - 0 0 0 0 0 0 1 2	DV 22 - 0 0 0 0 0 0 1 3	DV 22 - 0 0 0 0 0 0 1 4		
1	400912-00028	INJECTION PUMP ASS'Y	1	1	1				
1-1	65.11101-7303	PUMP ; INJECTION	1	1	1				
1-2	65.11501-7006C	GOVERNOR ASS'Y	1	1	1				
1-3	65.90310-0129	SCREW ; PLUG	1	1	1				
2	300611-00684	CONTROLLER	1	1	1				
3	65.05701-5360	PIPE ; OIL	1	1	1				
4	65.98130-0151	ADAPTER	1	1	1				
5	06.56190-0726	RING ; SEAL	1	1	1				
6	06.78144-2204	SCREW ; HOLLOW	2	2	2				
7	06.56190-0706	RING ; SEAL A14x20	4	4	4				
8	420204-00027	PIPE ; FUEL	1	1	1				
9	06.71010-0213	FITTING ; PIPE	1	1	1				
10	06.56190-0706	RING ; SEAL A14x20	1	1	1				
11	430228-00012	BANJO UNION ASS'Y	1	1	1				
11-1	430228-00013	UNION ; BANJO	1	1	1			NS	
11-2	06.71024-0107	RING ; DIE	1	1	1			NS	
11-3	06.71030-8113	NUT ; UNION	1	1	1			NS	
11-4	06.71024-0108	RING ; DIE	1	1	1			NS	
11-5	06.71030-8114	NUT ; UNION	1	1	1			NS	
12	06.78144-2204	SCREW ; HOLLOW	1	1	1				
13	06.56190-0706	RING ; SEAL A14x20	2	2	2				

Fig.1130 INJECTION PUMP DRIVE

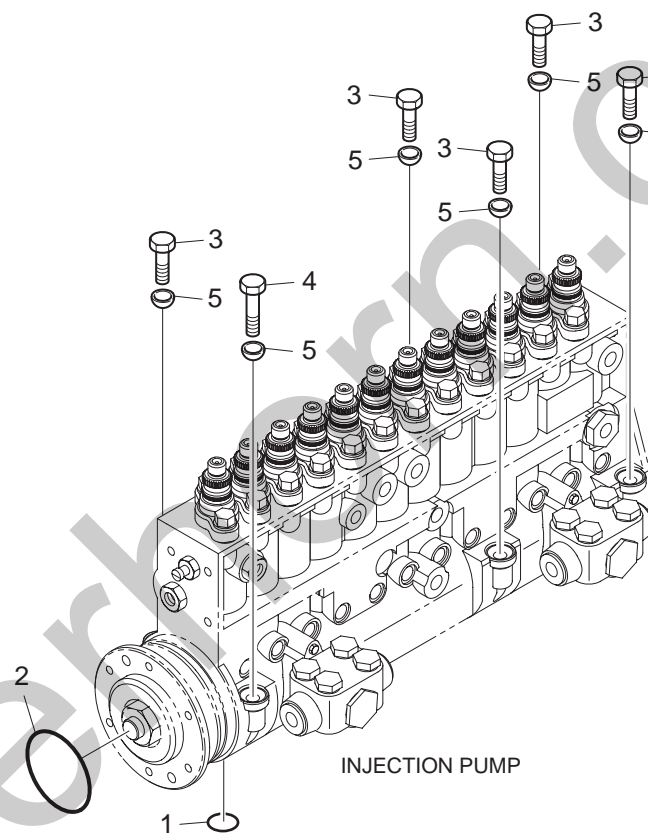


L113-DV15-001/120724

Fig.1130 INJECTION PUMP DRIVE

Key No	Part No	Part Name	(Q'ty)					S/C	ICA
			DP222 LCS	DP222 LBS	DP222 LAS	DP222 LCF	DP222 LBF		
			DV 22 - 0 0 0 0 1 0	DV 22 - 0 0 0 0 1 1	DV 22 - 0 0 0 0 1 2	DV 22 - 0 0 0 0 1 3	DV 22 - 0 0 0 0 1 4		
1	65.11301-0115A	GEAR ; INJECTION PUMP DRIVE	1	1	1	1	1		
2	06.01284-7112	BOLT ; HEX. M8x18	6	6	6	6	6		
3	65.90720-0024	WASHER ; THRUST	1	1	1	1	1		

Fig.1140 INJECTION PUMP MOUNTING

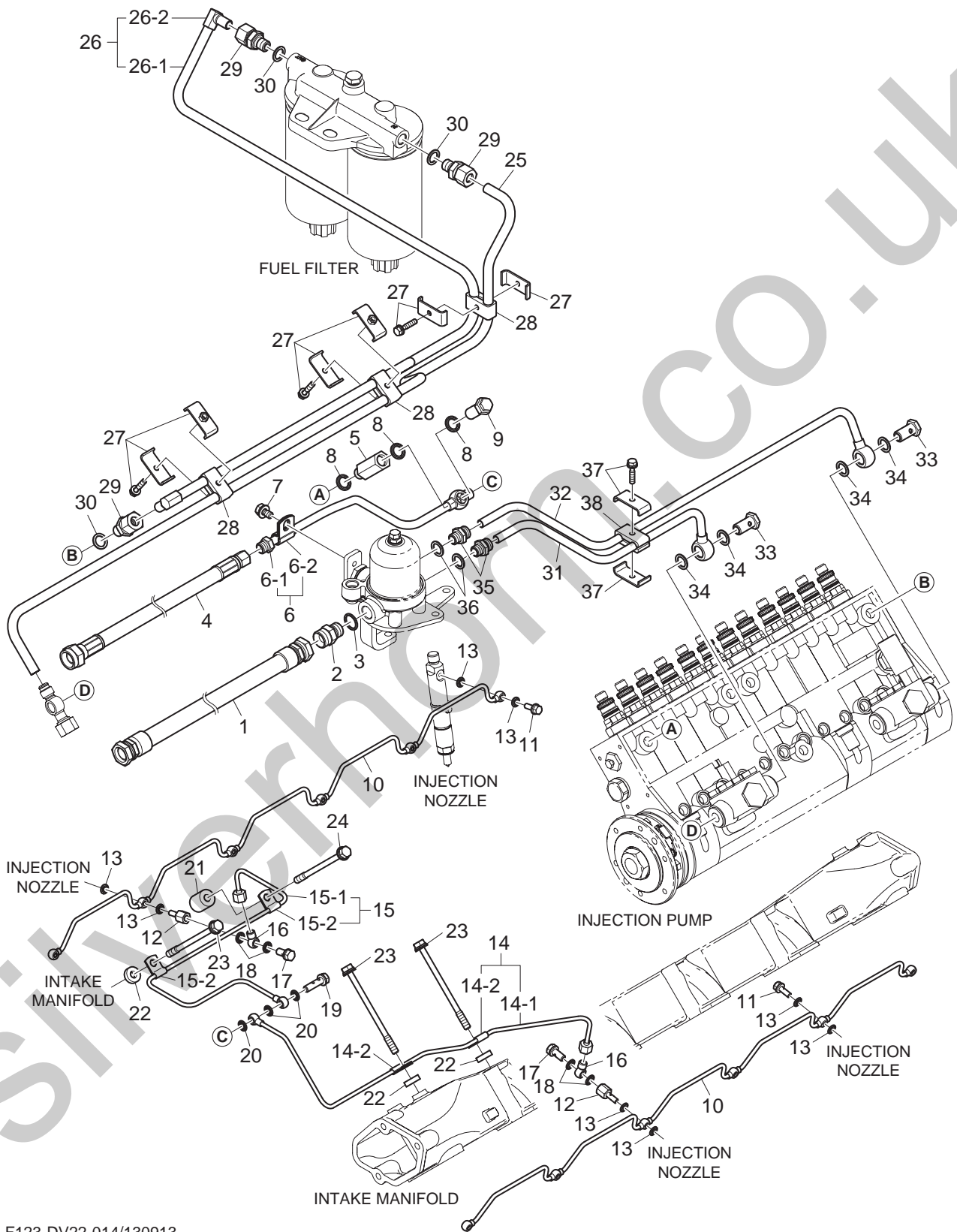


L114-DV22-001/120817

Fig.1140 INJECTION PUMP MOUNTING

Key No	Part No	Part Name	(Q'ty)					S/C	ICA
			DP222 LCS	DP222 LBS	DP222 LAS	DP222 LCF	DP222 LBF		
			DV 22 - 0 0 0 0 1 0	DV 22 - 0 0 0 0 1 1	DV 22 - 0 0 0 0 1 2	DV 22 - 0 0 0 0 1 3	DV 22 - 0 0 0 0 1 4		
1	51.96501-0322	O-RING	1	1	1	1	1		
2	51.96501-0295	O-RING	1	1	1	1	1		
3	65.90001-0146A	BOLT ; HEX.	5	5	5	5	5		
4	06.01014-7225	BOLT ; HEX. M10x100	1	1	1	1	1		
5	06.15061-0103	WASHER ; BALL	6	6	6	6	6		

Fig.1230 FUEL LINE



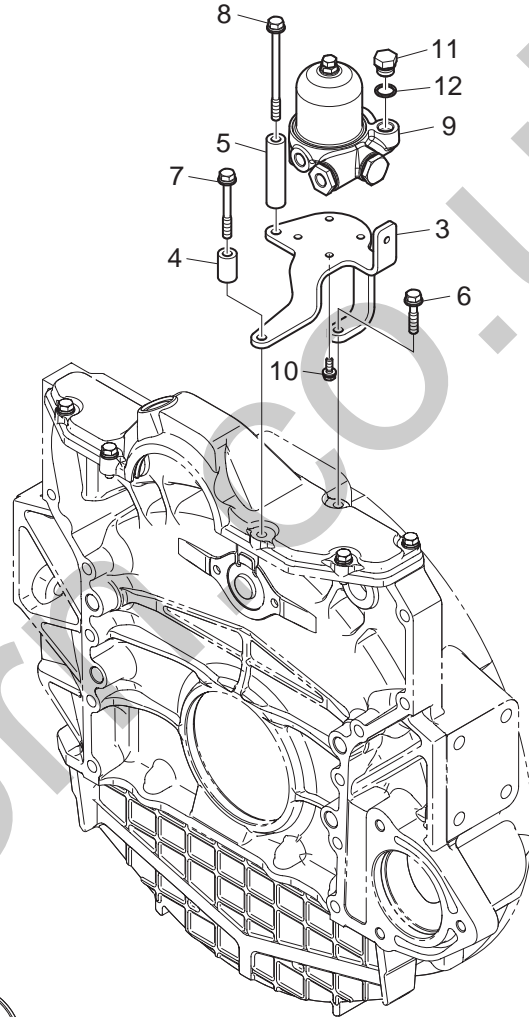
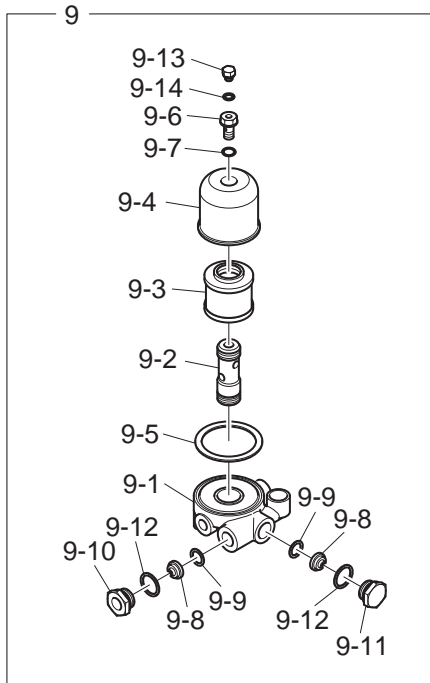
F123-DV22-014/130913



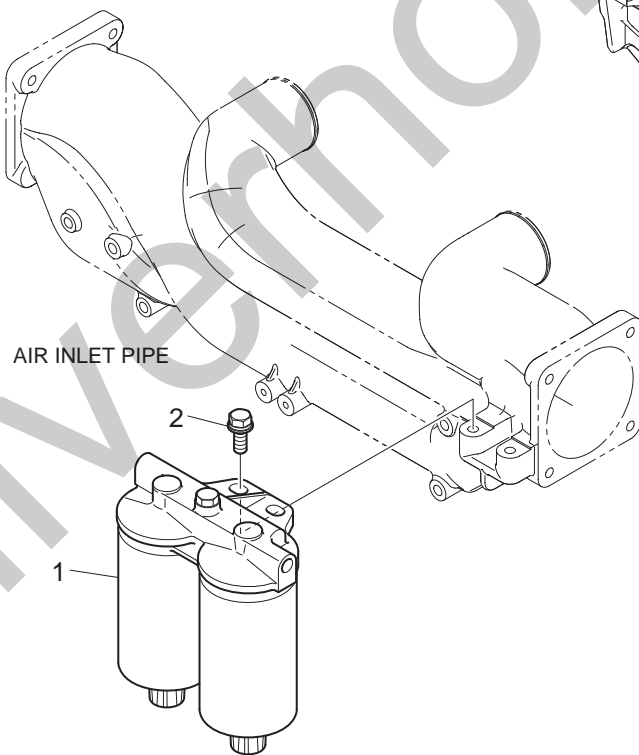
Fig.1230 FUEL LINE

Key No	Part No	Part Name	(Q'ty)					S/C	ICA
			DP222 LCS	DP222 LBS	DP222 LAS	DP222 LCF	DP222 LBF		
			DV 22 - 0 0 0 1 0	DV 22 - 0 0 0 1 1	DV 22 - 0 0 0 1 2	DV 22 - 0 0 0 1 3	DV 22 - 0 0 0 1 4		
1	65.96340-5061	HOSE ; RUBBER	1	1	1	1	1		
2	65.98131-0105	NIPPLE	1	1	1	1	1		
3	06.56190-0712	RING ; SEAL	1	1	1	1	1		
4	65.96340-5037	HOSE ; RUBBER	1	1	1	1	1		
5	430201-00821	ADAPTER	1	1	1	1	1		
6	420204-00479	PIPE ; FUEL RETURN	1	1	1	1	1		
6-1	420204-00480	PIPE ; FUEL RETURN	1	1	1	1	1	NS	
6-2	65.97401-0110A	CLIP ; PIPE	1	1	1	1	1		
7	06.01923-3111	BOLT M8X16	1	1	1	1	1		
8	65.96507-0043	RING ; SEAL A14x20	3	3	3	3	3		
9	65.11120-5002	VALVE ; OVERFLOW	1	1	1	1	1		
10	65.12301-5144	PIPE ; FUEL	2	2	2	2	2		
11	120703-00030	SCREW ; HOLLOW	10	10	10	10	10		
12	120703-00033	SCREW ; HOLLOW	2	2	2	2	2		
13	401109-00124	SEALRING	24	24	24	24	24		
14	420204-00445	PIPE ; FUEL RETURN	1	1	1	1	1		
14-1	420204-00447	PIPE ; FUEL RETURN	1	1	1	1	1	NS	
14-2	65.97401-0178	CLIP	2	2	2	2	2	NS	
15	420204-00419	FUEL PIPE ASS'Y	1	1	1	1	1		
15-1	420204-00417	PIPE ; FUEL RETURN	1	1	1	1	1	NS	
15-2	65.97401-0178	CLIP	2	2	2	2	2	NS	
16	65.98103-0027	UNION ; BANJO	2	2	2	2	2		
17	120703-00016	SCREW ; HOLLOW	2	2	2	2	2		
18	65.96507-0001	RING ; SEAL A8x14	4	4	4	4	4		
19	120703-00034	SCREW ; HOLLOW	1	1	1	1	1		
20	65.96507-0001	RING ; SEAL A8x14	3	3	3	3	3		
21	65.91701-0184	SPACER	1	1	1	1	1		
22	65.91701-0121	SPACER	3	3	3	3	3		
23	06.01923-3133	BOLT ; HEX.	3	3	3	3	3		
24	06.01923-3131	BOLT ; HEX.	1	1	1	1	1		
25	420204-00449	PIPE ; FUEL	1	1	1	1	1		
26	420204-00451	PIPE ; FUEL	1	1	1	1	1		
26-1	420204-00450	PIPE ; FUEL	1	1	1	1	1		
26-2	430208-00299	CONNECTER ; PIPE	2	2	2	2	2		
27	120402-00414	PIPE CLIP ASS'Y	3	3	3	3	3		
28	300728-00057	INSULATOR	3	3	3	3	3		
29	101552-00287	NIPPLE ; UNION	3	3	3	3	3		
30	06.56190-0706	RING ; SEAL A14x20	3	3	3	3	3		
31	420204-00407	PIPE ; FUEL	1	1	1	1	1		
32	420204-00408	PIPE ; FUEL	1	1	1	1	1		
33	06.78144-2204	SCREW ; HOLLOW	2	2	2	2	2		
34	06.56190-0706	RING ; SEAL A14x20	4	4	4	4	4		
35	06.71010-0213	FITTING ; PIPE	2	2	2	2	2		
36	06.56190-0706	RING ; SEAL A14x20	2	2	2	2	2		
37	120402-00414	PIPE CLIP ASS'Y	1	1	1	1	1		
38	300728-00056	INSULATOR	1	1	1	1	1		

Fig.1250 FUEL FILTER



FLYWHEEL HOUSING

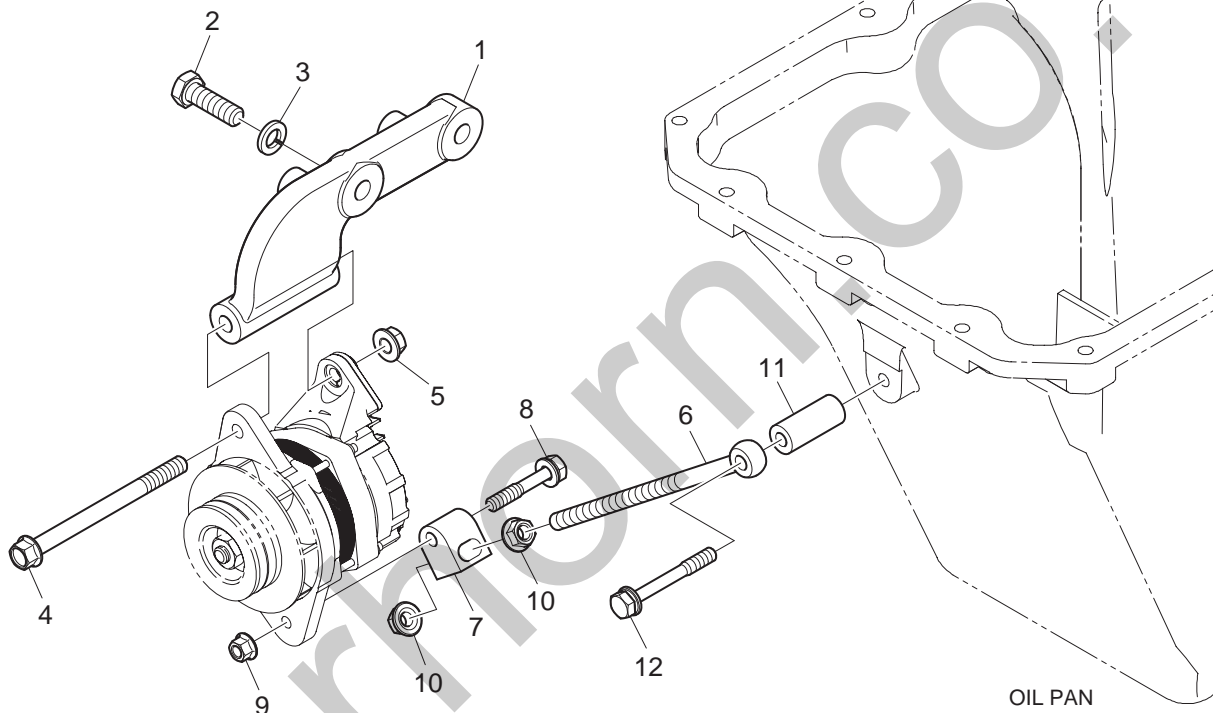


F125-DV22-001/130913

Fig.1250 FUEL FILTER

Key No	Part No	Part Name	(Q'ty)					S/C	ICA
			DP222 LCS	DP222 LBS	DP222 LAS	DP222 LCF	DP222 LBF		
			DV 22 - 0 0 0 0 1 0	DV 22 - 0 0 0 0 1 1	DV 22 - 0 0 0 0 1 2	DV 22 - 0 0 0 0 1 3	DV 22 - 0 0 0 0 1 4		
1	65.12501-7095A	FUEL FILTER ASS'Y	1	1	1	1	1		
2	06.01953-3318	BOLT ASS'Y M12x1.5x35	2	2	2	2	2		
3	110413-00130	BRACKET ; FUEL FILTER	1	1	1	1	1		
4	65.91701-0086	SPACER	1	1	1	1	1		
5	110951-00805	SPACER	1	1	1	1	1		
6	06.01923-3119	BOLT ASS'Y M8x40	1	1	1	1	1		
7	06.01923-3125	BOLT ASS'Y M8x70	1	1	1	1	1		
8	06.01923-3132	BOLT ASS'Y M8x110	1	1	1	1	1		
9	65.12501-7036	FUEL FILTER ASS'Y	1	1	1	1	1	AL	
9	400403-00038	FUEL FILTER ASS'Y	1	1	1	1	1	AL	
9-1	65.12504-0011	COVER ; FUEL FILTER	1	1	1	1	1		
9-2	65.12510-0006	BOLT ; CENTER	1	1	1	1	1		
9-3	65.12503-5019	ELEMENT ; FUEL FILTER	1	1	1	1	1		
9-4	65.12502-0005	HOUSING ; FUEL FILTER	1	1	1	1	1		
9-5	65.12506-0011	PACKING	1	1	1	1	1		
9-6	65.90002-0033	BOLT ; STUD	1	1	1	1	1		
9-7	06.56011-0301	O-RING	1	1	1	1	1		
9-8	65.01816-5003	VALVE ; CHECK	2	2	2	2	2		
9-9	65.12506-0012	PACKING	2	2	2	2	2		
9-10	65.98130-0088	ADAPTER	1	1	1	1	1		
9-11	06.08092-2407	SCREW ; PLUG M22x1.5	1	1	1	1	1		
9-12	06.56190-0718	RING ; SEAL	2	2	2	2	2		
9-13	06.08090-0201	SCREW ; PLUG	1	1	1	1	1		
9-14	06.56180-0811	RING ; SEAL A8x12	1	1	1	1	1		
10	06.01923-2912	BOLT ASS'Y M6x18	4	4	4	4	4		
11	65.90310-0150	SCREW ; PLUG	1	1	1	1	1		
12	06.56190-0708	RING ; SEAL	1	1	1	1	1		

Fig.1910 ALTERNATOR MOUNTING

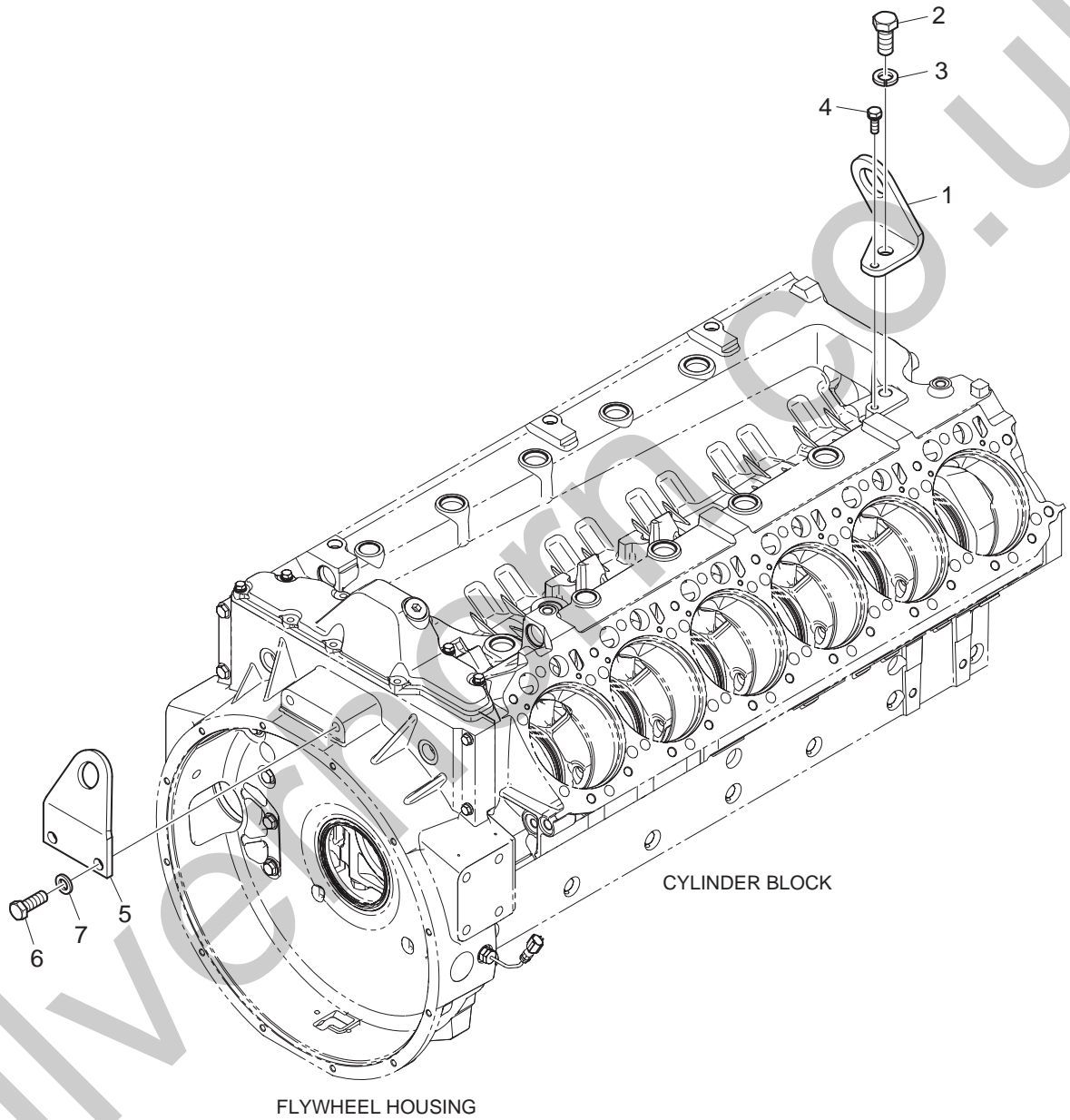


M191-DV22-005/130913

Fig.1910 ALTERNATOR MOUNTING

Key No	Part No	Part Name	(Q'ty)					S/C	ICA
			DP222 LCS	DP222 LBS	DP222 LAS	DP222 LCF	DP222 LBF		
			DV 22 - 0 0 0 0 1 0	DV 22 - 0 0 0 0 1 1	DV 22 - 0 0 0 0 1 2	DV 22 - 0 0 0 0 1 3	DV 22 - 0 0 0 0 1 4		
1	110403-00113	BRACKET ; ALTERNATOR	1	1	1	1	1		
2	06.01284-7420	BOLT ; HEX.	2	2	2	2	2		
3	06.16731-2110	WASHER ; SPRING	2	2	2	2	2		
4	120106-00412	BOLT ; COLLARED HEX.	1	1	1	1	1		
5	65.90535-0005	NUT ; HEX. M12x1.5	1	1	1	1	1		
6	65.90441-0061	BOLT ; SPACER	1	1	1	1	1		
7	101558-00034	PIECE ; GUIDE	1	1	1	1	1		
8	06.01923-3223	BOLT ASS'Y	1	1	1	1	1		
9	120305-00003	NUT ; FLANGE	1	1	1	1	1		
10	120305-00033	NUT ; HEX.	2	2	2	2	2		
11	110951-00946	SPACER	1	1	1	1	1		
12	06.01923-3228	BOLT ASS'Y M10x85	1	1	1	1	1		

Fig.1920 ENGINE LIFTING

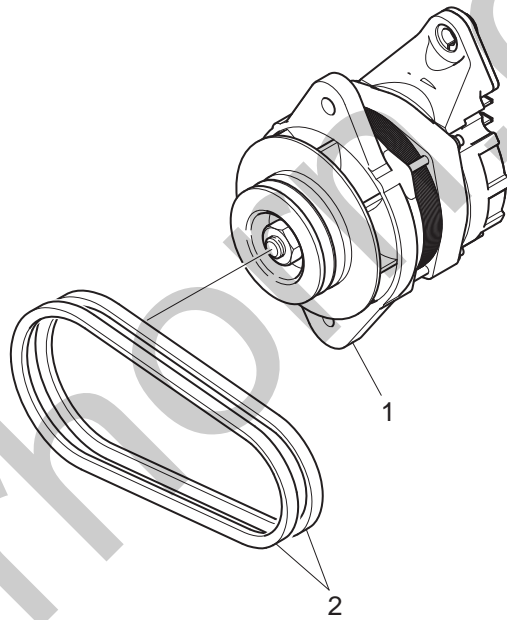


P192-DV22-001/130913

Fig.1920 ENGINE LIFTING

Key No	Part No	Part Name	(Q'ty)					S/C	ICA
			DP222 LCS	DP222 LBS	DP222 LAS	DP222 LCF	DP222 LBF		
			DV 22 - 0 0 0 1 0	DV 22 - 0 0 0 1 1	DV 22 - 0 0 0 1 2	DV 22 - 0 0 0 1 3	DV 22 - 0 0 0 1 4		
1	120404-00196	HOOK ; LIFTING	1	1	1	1	1		
2	06.01283-7720	BOLT ; HEX.	1	1	1	1	1		
3	06.16731-2113	WASHER ; SPRING	1	1	1	1	1		
4	06.01913-3217	BOLT M10x30	1	1	1	1	1		
5	120404-00192	HOOK ; LIFTING	1	1	1	1	1		
6	06.01283-7520	BOLT ; HEX. M16x45	2	2	2	2	2		
7	06.16731-2111	WASHER ; SPRING	2	2	2	2	2		

Fig.2610 ALTERNATOR



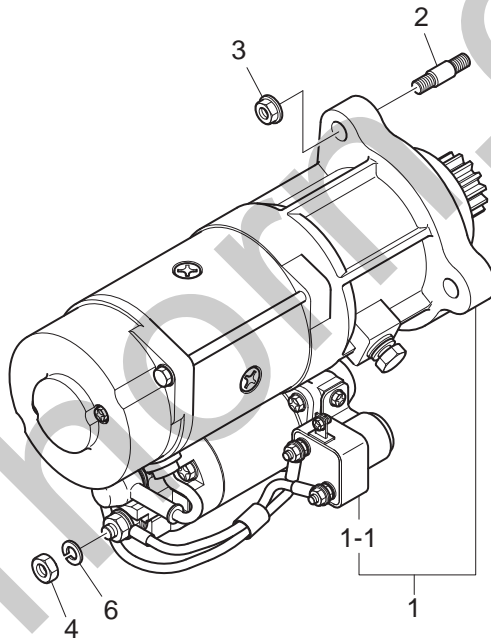
M261-DV22-006/120817



Fig.2610 ALTERNATOR

Key No	Part No	Part Name	(Q'ty)					S/C	ICA
			DP222 LCS	DP222 LBS	DP222 LAS	DP222 LCF	DP222 LBF		
			DV 22 - 0 0 0 0 1 0	DV 22 - 0 0 0 0 1 1	DV 22 - 0 0 0 0 1 2	DV 22 - 0 0 0 0 1 3	DV 22 - 0 0 0 0 1 4		
1	300901-00009	ALTERNATOR	1	1	1	1	1		
2	130205-00305	V-BELT	2	2	2	2	2		

Fig.2620 STARTER

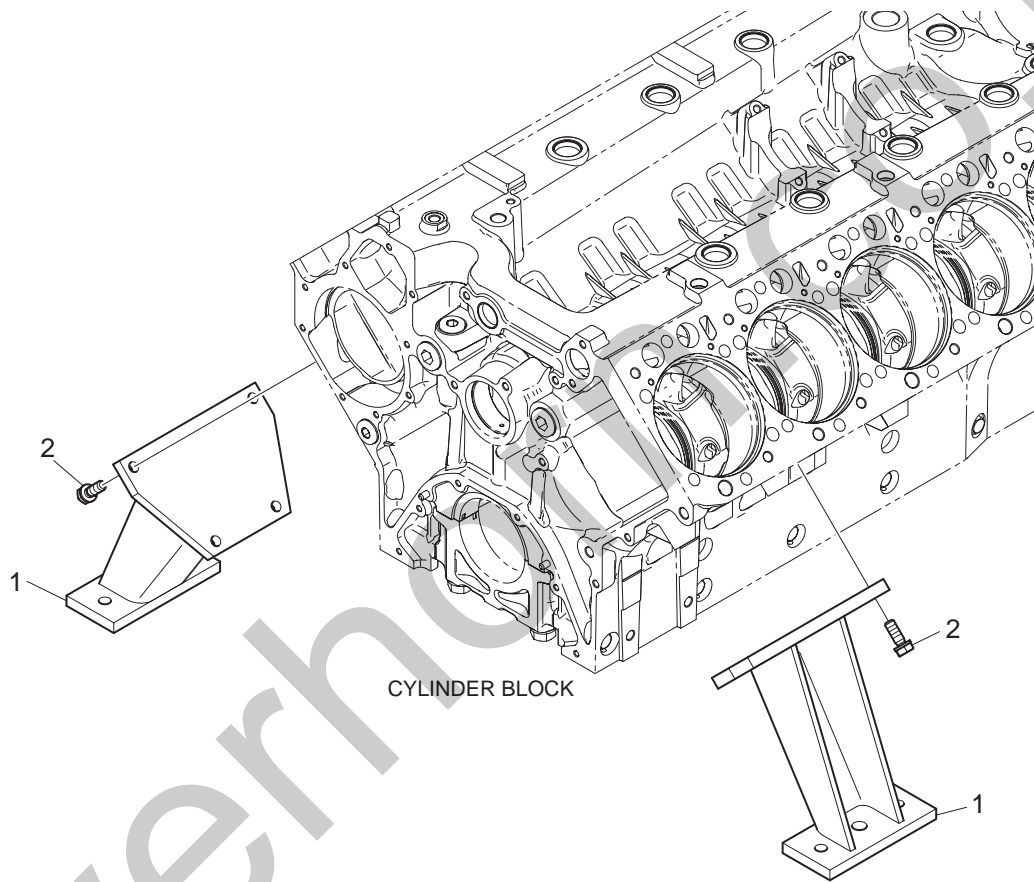


M262-DV15-001/120613

Fig.2620 STARTER

Key No	Part No	Part Name	(Q'ty)					S/C	ICA
			DP222 LCS	DP222 LBS	DP222 LAS	DP222 LCF	DP222 LBF		
			DV 22 - 0 0 0 0 1 0	DV 22 - 0 0 0 0 1 1	DV 22 - 0 0 0 0 1 2	DV 22 - 0 0 0 0 1 3	DV 22 - 0 0 0 0 1 4		
1	300516-00075	STARTER	1	1	1	1	1		
1-1	301206-00017	RELAY	1	1	1	1	1		
2	06.06175-8309	BOLT ; STUD M12x1.5x35	3	3	3	3	3		
3	65.90535-0005	NUT ; HEX. M12x1.5	3	3	3	3	3		
4	06.11063-8215	NUT ; HEX. M10	1	1	1	1	1		
6	06.16731-2108	WASHER ; SPRING	1	1	1	1	1		

Fig.4150 ENGINE MOUNTING

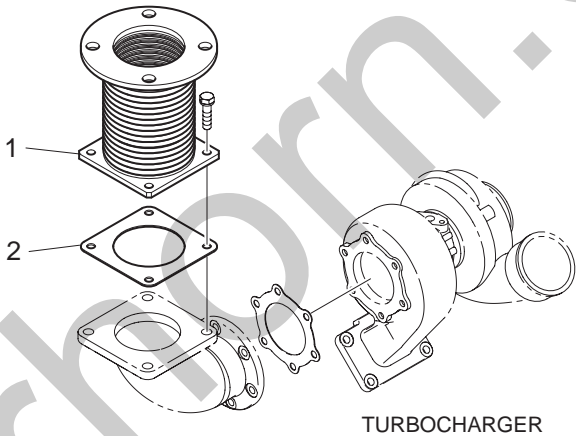


P415-DV22-001/130913

Fig.4150 ENGINE MOUNTING

Key No	Part No	Part Name	(Q'ty)					S/C	ICA
			DP222 LCS	DP222 LBS	DP222 LAS	DP222 LCF	DP222 LBF		
			DV 22 - 0 0 0 0 1 0	DV 22 - 0 0 0 0 1 1	DV 22 - 0 0 0 0 1 2	DV 22 - 0 0 0 0 1 3	DV 22 - 0 0 0 0 1 4		
1	110427-00533	BRACKET ; ENGINE MOUNTING	2	2	2	2	2		
2	06.01914-3318	HEX. BOLT ASS'Y	8	8	8	8	8		

Fig.8900 ACCESSORIES(1)



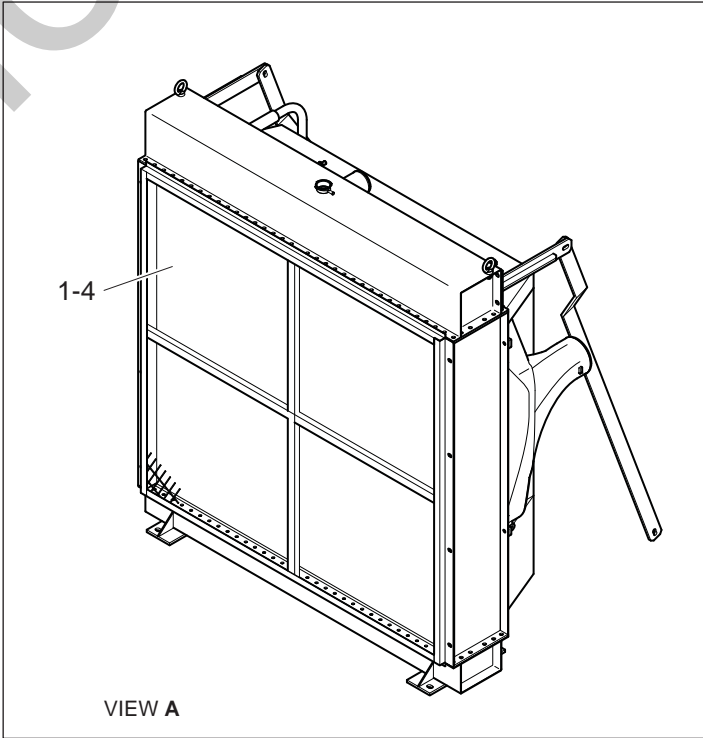
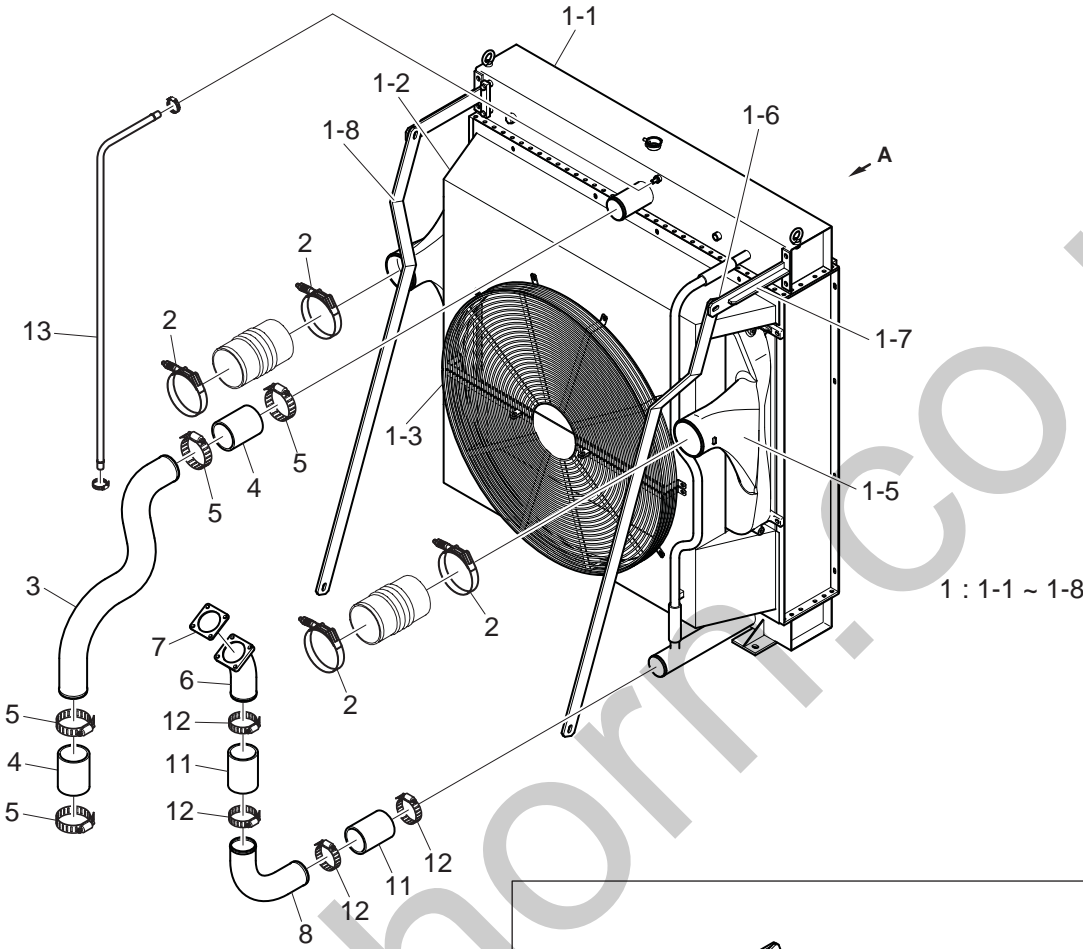
Q890-DL11-057/121016

Fig.8900 ACCESSORIES(1)

Key No	Part No	Part Name	(Q'ty)					S/C	ICA
			DP222 LCS	DP222 LBS	DP222 LAS	DP222 LCF	DP222 LBF		
			DV 22 - 0 0 0 0 1 0	DV 22 - 0 0 0 0 1 1	DV 22 - 0 0 0 0 1 2	DV 22 - 0 0 0 0 1 3	DV 22 - 0 0 0 0 1 4		
1	65.15211-5008	BELLOWS	2	2	2	2	2		
2	65.15901-0010	GASKET ; EXHAUST PIPE	2	2	2	2	2		

Silverhorn.CO.UK

Fig.8900 ACCESSORIES(2)



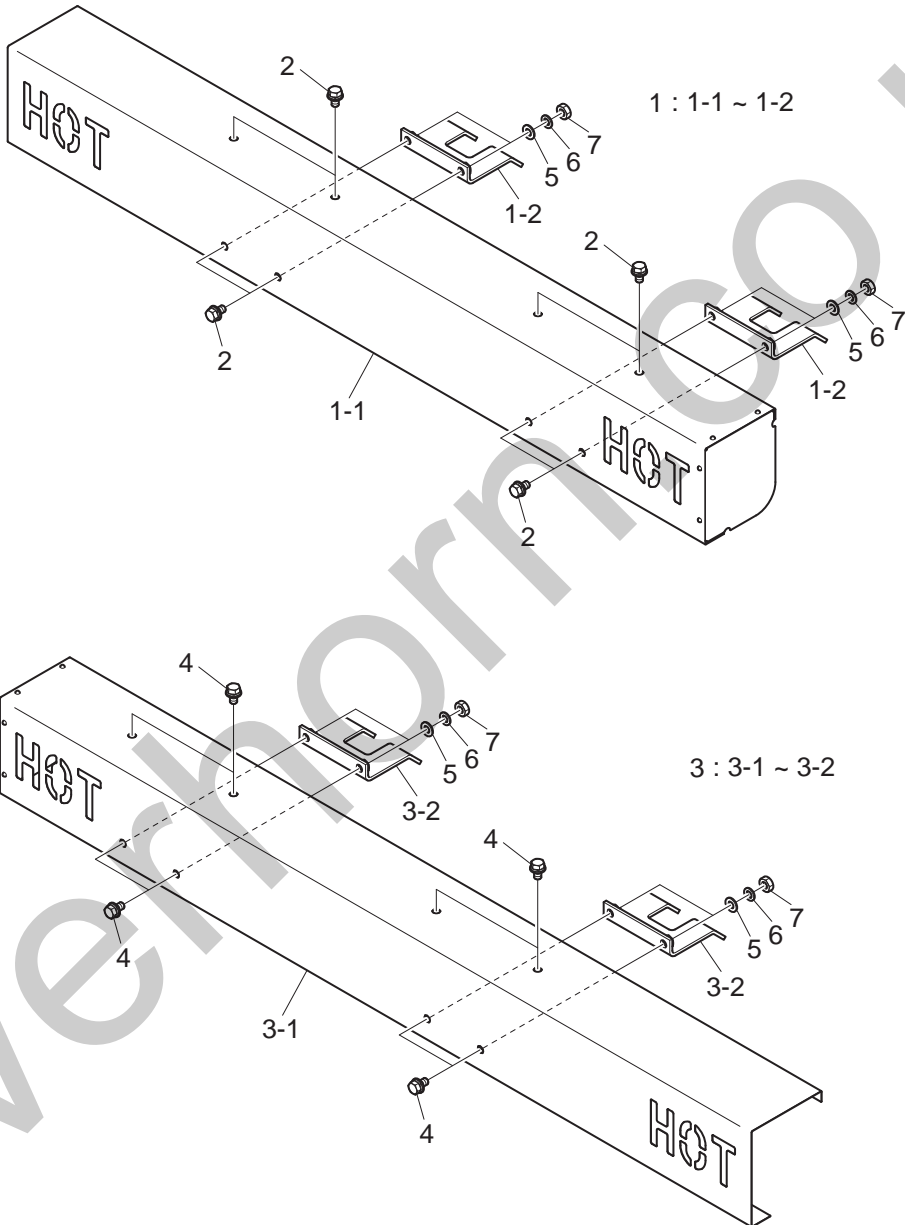
Q890-DV22-027/120817



Fig.8900 ACCESSORIES(2)

Key No	Part No	Part Name	(Q'ty)					S/C	ICA
			DP222 LCS	DP222 LBS	DP222 LAS	DP222 LCF	DP222 LBF		
			DV 22 - 0 0 0 0 1 0	DV 22 - 0 0 0 0 1 1	DV 22 - 0 0 0 0 1 2	DV 22 - 0 0 0 0 1 3	DV 22 - 0 0 0 0 1 4		
1	440211-00439	RADIATOR ASS'Y	1	1	1	1	1		
1-1	440211-00451	RADIATOR	1	1	1	1	1		
1-2	110948-00119	SHROUD ; FAN	1	1	1	1	1		
1-3	110921-02081	GUARD ; FAN	2	2	2	2	2		
1-4	101569-00143	GUARD ; RADIATOR	1	1	1	1	1		
1-5	400215-00032	INTERCOOLER ASS'Y	1	1	1	1	1		
1-6	420202-00279	PIPE ; EXPANSION	1	1	1	1	1		
1-7	110958-01844	SUPPORT ; RADIATOR	2	2	2	2	2		
1-8	110958-01845	SUPPORT ; RADIATOR	2	2	2	2	2		
2	65.97401-6040	CLIP ; PIPE	4	4	4	4	4		
3	420211-00357	PIPE ; COOLING WATER	1	1	1	1	1		
4	04.27415-0413	HOSE ; RUBBER	2	2	2	2	2		
5	06.67020-0113	CLAMP ; HOSE	4	4	4	4	4		
6	420211-00356	PIPE ; COOLING WATER	1	1	1	1	1		
7	67.06901A0001	GASKET ; COOLING WATER	1	1	1	1	1		
8	420211-00355	PIPE ; COOLING WATER	1	1	1	1	1		
11	04.27415-0313	HOSE ; RUBBER	2	2	2	2	2		
12	06.67020-0112	CLAMP ; HOSE	4	4	4	4	4		
13	65.96301-0573	HOSE ; RUBBER	1	1	1	1	1		

Fig.8900 ACCESSORIES(3)

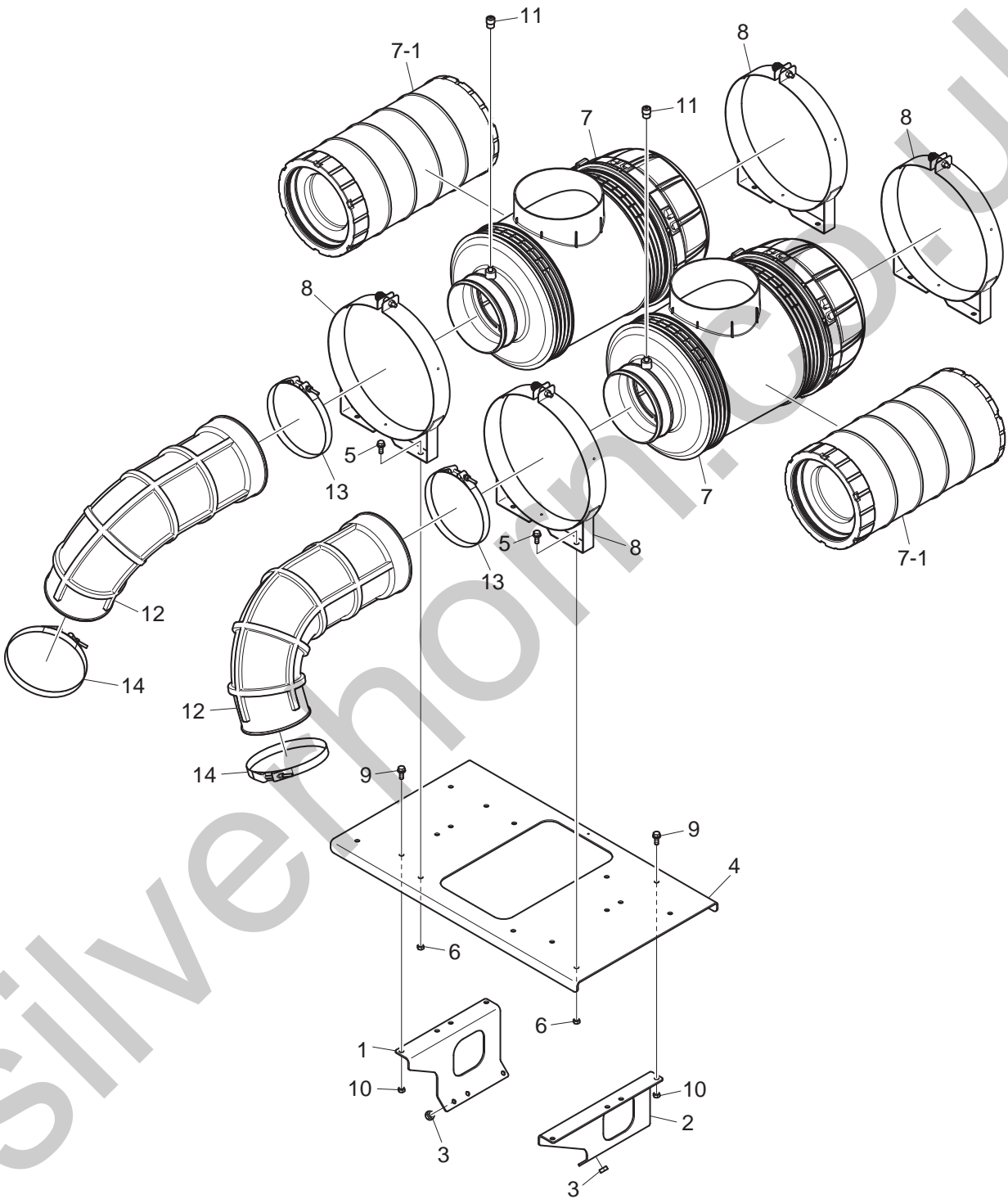


Q890-DV22-034/130913

Fig.8900 ACCESSORIES(3)

Key No	Part No	Part Name	(Q'ty)					S/C	ICA
			DP222 LCS	DP222 LBS	DP222 LAS	DP222 LCF	DP222 LBF		
			DV 22 - 0 0 0 1 0	DV 22 - 0 0 0 1 1	DV 22 - 0 0 0 1 2	DV 22 - 0 0 0 1 3	DV 22 - 0 0 0 1 4		
1	111002-00122	HEAT SCREEN ASS'Y	1	1	1	1	1		
1-1	111002-00124	SCREEN ; HEAT	1	1	1	1	1	NS	
1-2	110928-00339	HOLDER	2	2	2	2	2	NS	
2	06.01923-3111	BOLT M8X16	8	8	8	8	8		
3	111002-00123	HEAT SCREEN ASS'Y	1	1	1	1	1		
3-1	111002-00125	SCREEN ; HEAT	1	1	1	1	1	NS	
3-2	110928-00339	HOLDER	2	2	2	2	2	NS	
4	06.01923-3111	BOLT M8X16	8	8	8	8	8		
5	06.15010-2312	WASHER ; PLAIN	8	8	8	8	8		
6	06.16731-2108	WASHER ; SPRING	8	8	8	8	8		
7	06.11063-8215	NUT ; HEX. M10	8	8	8	8	8		

Fig.8900 ACCESSORIES(4)

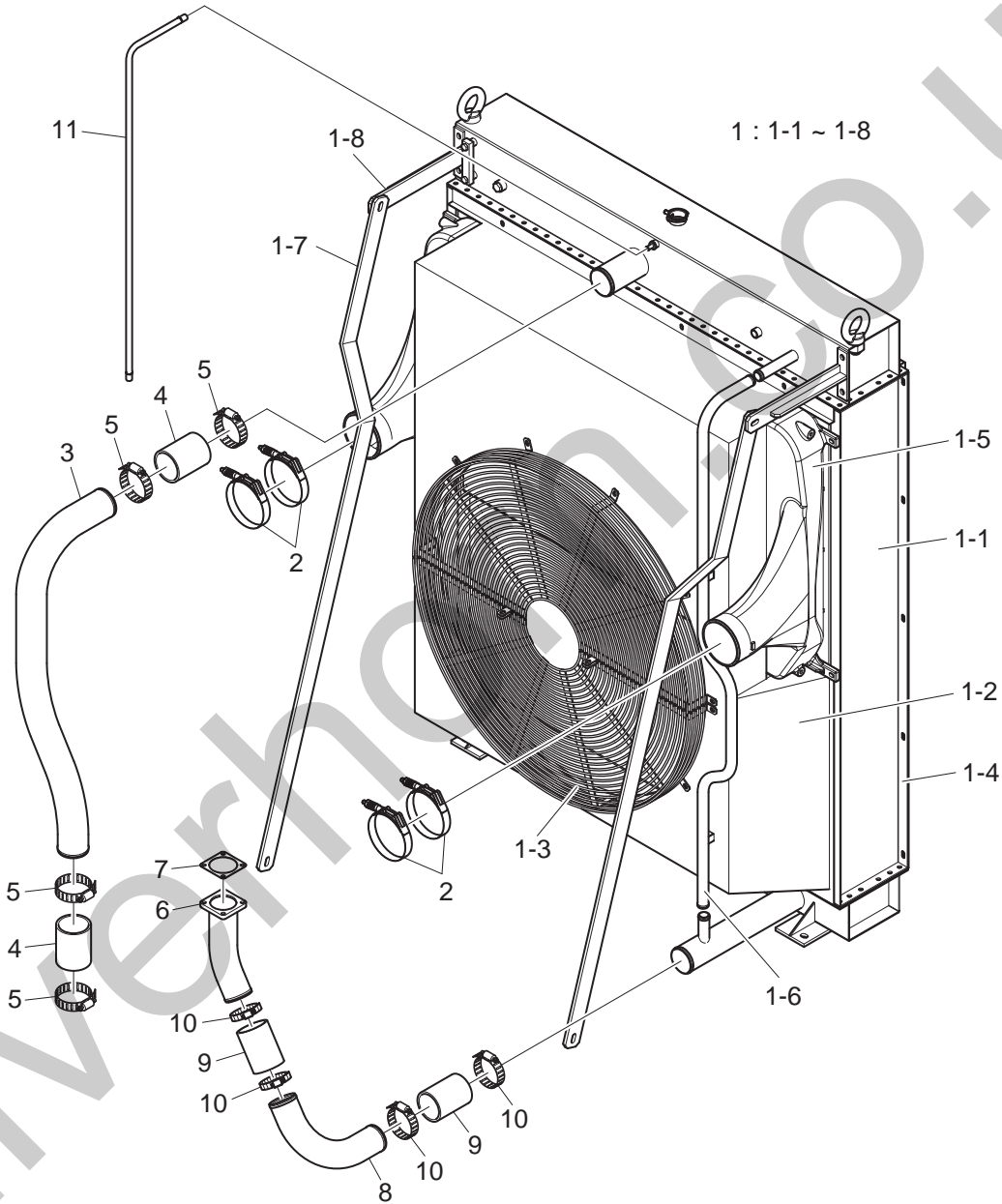


Q890-DV22-035/130913

Fig.8900 ACCESSORIES(4)

Key No	Part No	Part Name	(Q'ty)					S/C	ICA
			DP222 LCS	DP222 LBS	DP222 LAS	DP222 LCF	DP222 LBF		
			DV 22 - 0 0 0 1 0	DV 22 - 0 0 0 1 1	DV 22 - 0 0 0 1 2	DV 22 - 0 0 0 1 3	DV 22 - 0 0 0 1 4		
1	110401-00066	BRACKET ; AIR CLEANER	1	1	1	1	1		
2	110401-00067	BRACKET ; AIR CLEANER	1	1	1	1	1		
3	65.90535-0003	NUT	6	6	6	6	6		
4	110401-00065	BRACKET ; AIR CLEANER	1	1	1	1	1		
5	06.01923-3115	BOLT ASS'Y M8x25	8	8	8	8	8		
6	06.11063-2214	NUT ; HEX.	8	8	8	8	8		
7	400414-00335	AIR CLEANER ASS'Y	2	2	2	2	2		
7-1	400504-00169	ELEMENT ; AIR CLEANER	1	1	1	1	1		
8	110401-00076	BRACKET ; AIR CLEANER MOUNTING	4	4	4	4	4		
9	06.01923-3115	BOLT ASS'Y M8x25	8	8	8	8	8		
10	06.11063-2214	NUT ; HEX.	8	8	8	8	8		
11	67.16250-6003	INDICATOR ; SERVICE	2	2	2	2	2		
12	420101-00928	HOSE ; AIR CLEANER	2	2	2	2	2		
13	120202-00211	CLAMP	2	2	2	2	2		
14	120202-00212	CLAMP	2	2	2	2	2		

Fig.8900 ACCESSORIES(5)

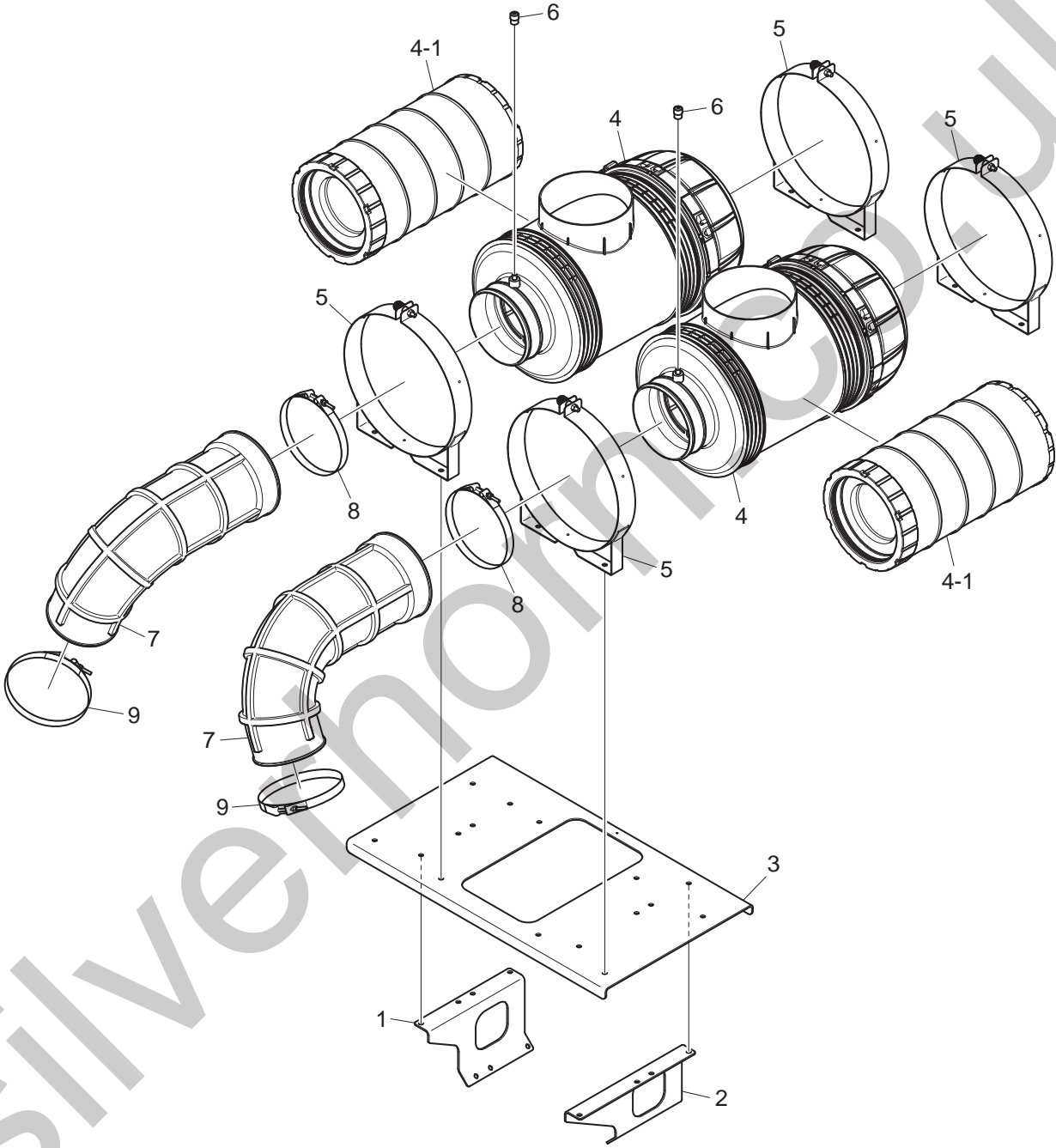


Q890-DV22-037/130913

Fig.8900 ACCESSORIES(5)

Key No	Part No	Part Name	(Q'ty)					S/C	ICA
			DP222	DP222	DP222	DP222	DP222		
			LCS	LBS	LAS	LCF	LBF		
			DV	DV	DV	DV	DV		
			22	22	22	22	22		
			-	-	-	-	-		
			0	0	0	0	0		
			0	0	0	0	0		
			1	1	2	3	4		
1	440211-00526	RADIATOR ASS'Y	1	1	1	1	1		
1-1	440211-00567	RADIATOR	1	1	1	1	1		
1-2	110948-00144	SHROUD ; FAN	1	1	1	1	1		
1-3	110921-02545	GUARD ; FAN	1	1	1	1	1		
1-4	101569-00165	GUARD ; RADIATOR	1	1	1	1	1		
1-5	400215-00036	INTERCOOLER ASS'Y	1	1	1	1	1		
1-6	420202-00339	PIPE ; EXPANSION	1	1	1	1	1		
1-7	110958-02383	SUPPORT ; RADIATOR	1	1	1	1	1		
1-8	110958-02384	SUPPORT ; RADIATOR	1	1	1	1	1		
2	65.97401-6040	CLIP ; PIPE	4	4	4	4	4		
3	420211-00476A	PIPE ; COOLING WATER	1	1	1	1	1		
4	04.27415-0413	HOSE ; RUBBER	2	2	2	2	2		
5	06.67020-0113	CLAMP ; HOSE	4	4	4	4	4		
6	420211-00477	PIPE ; COOLING WATER	1	1	1	1	1		
7	67.06901A0001	GASKET ; COOLING WATER	1	1	1	1	1		
8	420211-00355	PIPE ; COOLING WATER	1	1	1	1	1		
9	04.27415-0313	HOSE ; RUBBER	2	2	2	2	2		
10	06.67020-0112	CLAMP ; HOSE	4	4	4	4	4		
11	420101-00974	HOSE ; AIR	1	1	1	1	1		

Fig.8900 ACCESSORIES(6)



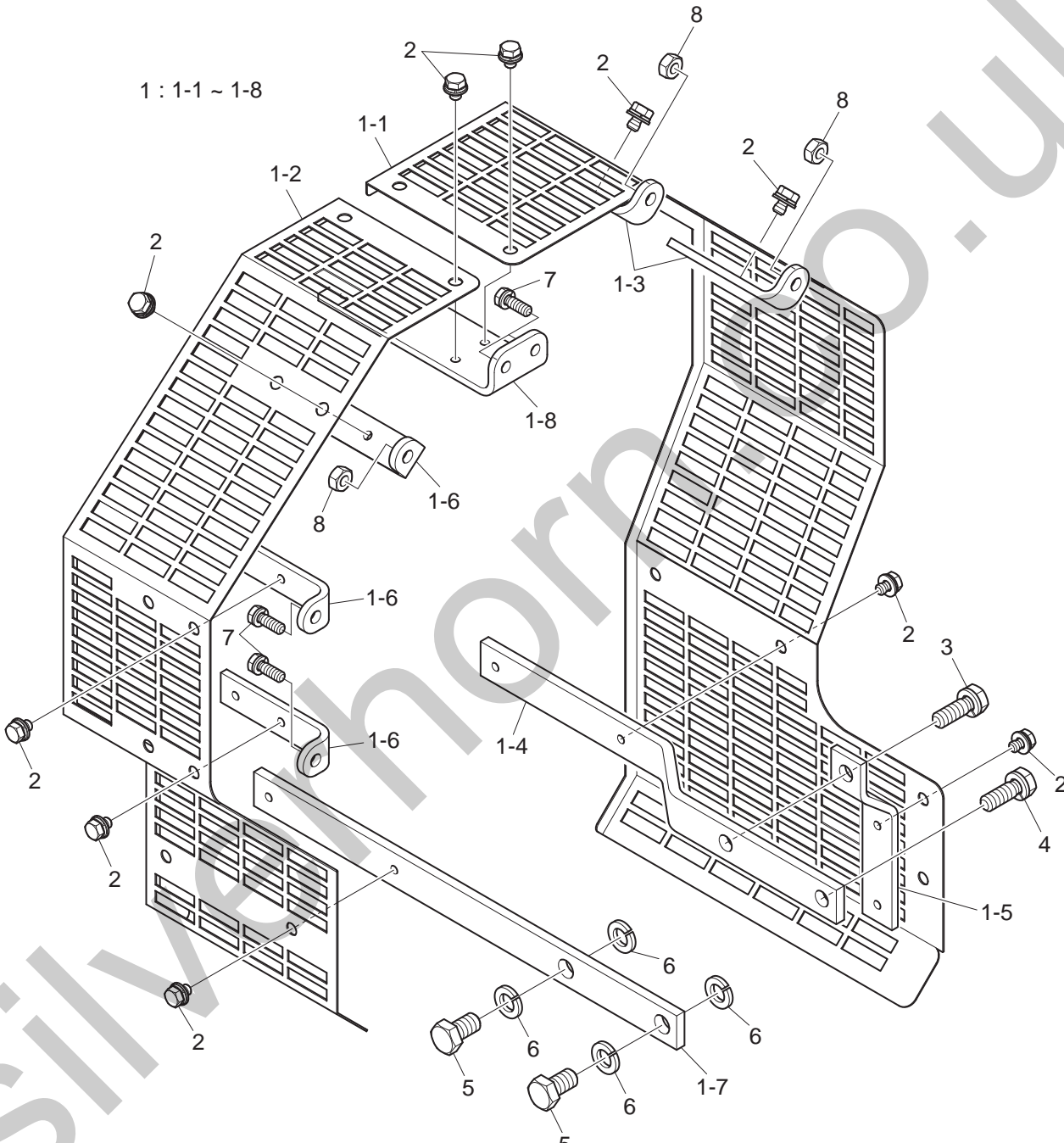
Q890-DV22-039/130913



Fig.8900 ACCESSORIES(6)

Key No	Part No	Part Name	(Q'ty)					S/C	ICA
			DP222 LCS	DP222 LBS	DP222 LAS	DP222 LCF	DP222 LBF		
			DV 22 - 0 0 0 1 0	DV 22 - 0 0 0 1 1	DV 22 - 0 0 0 1 2	DV 22 - 0 0 0 1 3	DV 22 - 0 0 0 1 4		
1	110401-00066	BRACKET ; AIR CLEANER	1	1	1	1	1		
2	110401-00067	BRACKET ; AIR CLEANER	1	1	1	1	1		
3	110401-00065	BRACKET ; AIR CLEANER	1	1	1	1	1		
4	400414-00335	AIR CLEANER ASS'Y	2	2	2	2	2		
4-1	400504-00169	ELEMENT ; AIR CLEANER	1	1	1	1	1		
5	110401-00076	BRACKET ; AIR CLEANER MOUNTING	4	4	4	4	4		
6	67.16250-6003	INDICATOR ; SERVICE	2	2	2	2	2		
7	420101-00928	HOSE ; AIR CLEANER	2	2	2	2	2		
8	120202-00211	CLAMP	2	2	2	2	2		
9	120202-00212	CLAMP	2	2	2	2	2		

Fig.8900 ACCESSORIES(7)

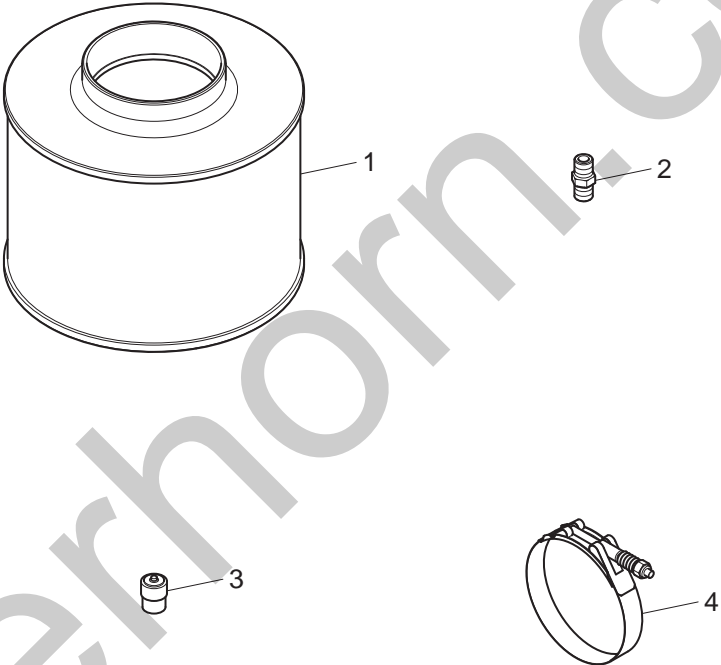


Q890-DV22-033/130913

Fig.8900 ACCESSORIES(7)

Key No	Part No	Part Name	(Q'ty)					S/C	ICA
			DP222 LCS	DP222 LBS	DP222 LAS	DP222 LCF	DP222 LBF		
			DV 22 - 0 0 0 0 1 0	DV 22 - 0 0 0 0 1 1	DV 22 - 0 0 0 0 1 2	DV 22 - 0 0 0 0 1 3	DV 22 - 0 0 0 0 1 4		
1	110508-15319	FAN COVER ASS'Y	1	1	1	1	1		
1-1	110508-15320	COVER ; FAN	1	1	1	1	1		
1-2	110508-12417	COVER ; FAN	1	1	1	1	1		
1-3	110515-00274	COVER ; BRACKET	2	2	2	2	2		
1-4	110515-00275	COVER ; BRACKET	1	1	1	1	1		
1-5	110515-00276	COVER ; BRACKET	1	1	1	1	1		
1-6	110515-00233	COVER ; BRACKET	3	3	3	3	3		
1-7	110515-00236	COVER ; BRACKET	1	1	1	1	1		
1-8	430216-00295	JOINT ; COVER	1	1	1	1	1		
2	06.01923-3110	BOLT ASS'Y M8x12	20	20	20	20	20		
3	06.01913-7318	HEX. BOLT ASS'Y	1	1	1	1	1		
4	06.01913-7317	HEX. BOLT ASS'Y	1	1	1	1	1		
5	06.01283-7415	BOLT ; HEX.	2	2	2	2	2		
6	06.16731-2110	WASHER ; SPRING	4	4	4	4	4		
7	06.01923-3114	BOLT ASS'Y M8x22	4	4	4	4	4		
8	65.90535-0003	NUT	3	3	3	3	3		

Fig.8900 ACCESSORIES(8)



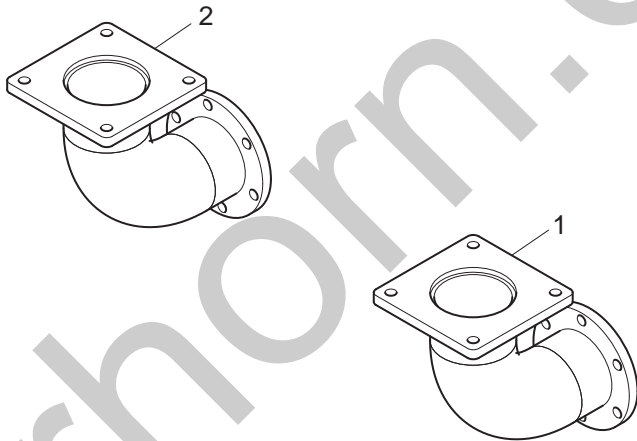
Q890-DV22-036/130913

Fig.8900 ACCESSORIES(8)

Key No	Part No	Part Name	(Q'ty)					S/C	ICA
			DP222 LCS	DP222 LBS	DP222 LAS	DP222 LCF	DP222 LBF		
			DV 22 - 0 0 0 0 1 0	DV 22 - 0 0 0 0 1 1	DV 22 - 0 0 0 0 1 2	DV 22 - 0 0 0 0 1 3	DV 22 - 0 0 0 0 1 4		
1	400414-00336	AIR CLEANER ASS'Y	2	2	2	2	2		
2	101552-00242	NIPPLE	2	2	2	2	2		
3	67.16250-6003	INDICATOR ; SERVICE	2	2	2	2	2		
4	120202-00212	CLAMP	2	2	2	2	2		

Silverhorn.CO.UK

Fig.8900 ACCESSORIES(9)



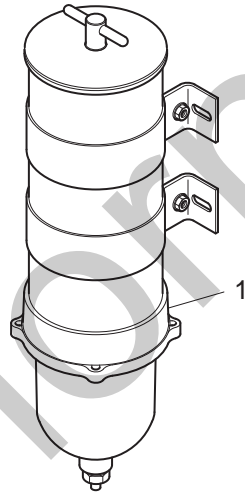
Q890-DV22-038/130913

Fig.8900 ACCESSORIES(9)

Key No	Part No	Part Name	(Q'ty)					S/C	ICA
			DP222 LCS	DP222 LBS	DP222 LAS	DP222 LCF	DP222 LBF		
			DV 22 - 0 0 0 0 1 0	DV 22 - 0 0 0 0 1 1	DV 22 - 0 0 0 0 1 2	DV 22 - 0 0 0 0 1 3	DV 22 - 0 0 0 0 1 4		
1	430213-00245	ELBOW ; EXHAUST	1	1	1	1	1		
2	430213-00246	ELBOW ; EXHAUST	1	1	1	1	1		

Silverhorn.CO.UK

Fig.9880 SPARE PART(1)



Q988-DV18-006/130913

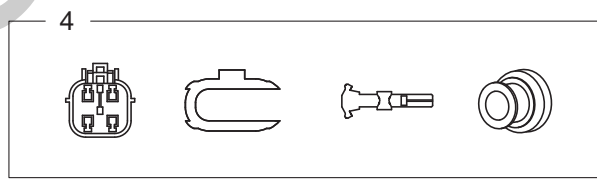
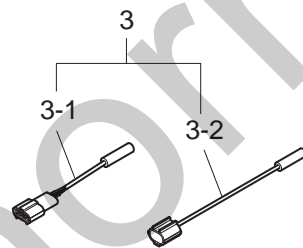
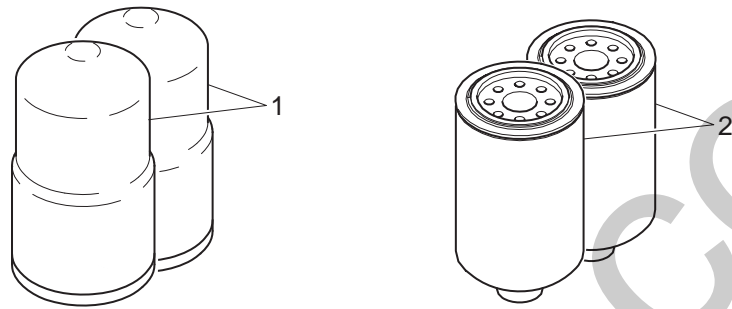


Fig.9880 SPARE PART(1)

Key No	Part No	Part Name	(Q'ty)					S/C	ICA
			DP222 LCS	DP222 LBS	DP222 LAS	DP222 LCF	DP222 LBF		
			DV 22 - 00 G0 00 10	DV 22 - 00 G0 00 11	DV 22 - 00 G0 00 12	DV 22 - 00 G0 00 13	DV 22 - 00 G0 00 14		
1	65.12501-7038	FUEL FILTER ASS'Y	1	1	1	1	1		

Silverhorn.CO.UK

Fig.9880 SPARE PART(2)

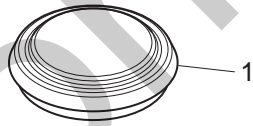


Q988-DV22-003/130913

Fig.9880 SPARE PART(2)

Key No	Part No	Part Name	(Q'ty)					S/C	ICA
			DP222 LCS	DP222 LBS	DP222 LAS	DP222 LCF	DP222 LBF		
			DV 22 - 0 0 0 0 1 0	DV 22 - 0 0 0 0 1 1	DV 22 - 0 0 0 0 1 2	DV 22 - 0 0 0 0 1 3	DV 22 - 0 0 0 0 1 4		
1	65.05510-5020B	CARTRIDGE ; OIL FILTER	2	2	2	2	2	AL	
1	400508-00006	CARTRIDGE ; OIL FILTER	2	2	2	2	2	AL	
2	65.12503-5016B	ELEMENT ; FUEL FILTER	2	2	2	2	2		
3	65.29101-6164	WIRE ; ELECTRIC	1	1	1	1	1		
3-1	65.29101-6154	WIRE ; ELECTRIC	1	1	1	1	1		
3-2	65.29101-6159	WIRE ; ELECTRIC	1	1	1	1	1		
4	65.26810-7025	CONNECTER ; OIL PRESSURE SENSOR	1	1	1	1	1		

Fig.9880 SPARE PART(3)



Q988-DV22-012/130913

Fig.9880 SPARE PART(3)

Key No	Part No	Part Name	(Q'ty)					S/C	ICA
			DP222 LCS	DP222 LBS	DP222 LAS	DP222 LCF	DP222 LBF		
			DV 22 - 00 G 00 1 0	DV 22 - 00 G 00 1 1	DV 22 - 00 G 00 1 2	DV 22 - 00 G 00 1 3	DV 22 - 00 G 00 1 4		
1	110910-01001	CAP ; RAIN	2	2	2	2	2		

Silverhorn.CO.UK

Silverhorn.CO.UK

# INDEX

Silverhorn.CO.UK





Part No	Fig. No	Find No	Part No	Fig. No	Find No	Part No	Fig. No	Find No
06.56190-0709	0650	1-8	110401-00067	8900(6)	2	120106-00539	0160	6
06.56190-0712	1230	3	110401-00076	8900(4)	8	120107-00008	0260	3
06.56190-0713	0110	1-10		8900(6)	5	120122-00043	0820	5
	0580	3	110403-00113	1910	1	120122-00044	0820	6
06.56190-0718	1250	9-12	110412-00070	0660	1-1	120122-00048	0630	8
06.56190-0722	0550	1-8	110412-00094	0660	1	120122-00049	0110	12
06.56190-0726	0110	1-6	110413-00130	1250	3	120122-00050	0820	7
	0180	7	110417-00052	0660	11	120202-00211	8900(4)	13
	0560	23	110427-00533	4150	1		8900(6)	8
	1110(1)	5	110443-00048	0810	10	120202-00212	8900(4)	14
	1110(2)	5	110443-00049	0810	12		8900(6)	9
06.56190-0728	0580	17	110443-00050	0810	15		8900(8)	4
	0910	27	110443-00051	0810	17	120305-00003	1910	9
06.56190-0732	0110	1-8	110508-12417	8900(7)	1-2	120305-00033	1910	10
	0110	8	110508-15319	8900(7)	1	120402-00414	1230	27
	0560	14	110508-15320	8900(7)	1-1		1230	37
06.56342-1208	0640	2	110515-00233	8900(7)	1-6	120402-00444	0940	12
06.67020-0112	8900(2)	12	110515-00236	8900(7)	1-7	120404-00192	1920	5
	8900(5)	10	110515-00274	8900(7)	1-3	120404-00196	1920	1
06.67020-0113	8900(2)	5	110515-00275	8900(7)	1-4	120703-00016	1230	17
	8900(5)	5	110515-00276	8900(7)	1-5	120703-00030	1230	11
06.71010-0213	1110(1)	9	110910-01001	9880(3)	1	120703-00033	1230	12
	1110(2)	9	110921-02081	8900(2)	1-3	120703-00034	1230	19
06.71010-0213	1230	35	110921-02545	8900(5)	1-3	120810-00112	0560	6
06.71024-0107	1110(1)	11-2	110928-00339	8900(3)	1-2	120816-00123	0140	3
	1110(2)	11-2		8900(3)	3-2	130205-00304	0660	10
06.71024-0108	1110(1)	11-4	110928-00360	0910	15	130205-00305	2610	2
	1110(2)	11-4	110928-00480	0940	13	130601-00042	0250	5
06.71030-8113	1110(1)	11-3	110948-00119	8900(2)	1-2	130709-00054	0660	1-2
	1110(2)	11-3	110948-00144	8900(5)	1-2	130710-00048	0660	9-1
06.71030-8114	1110(1)	11-5	110951-00805	1250	5	130710-00052A	0660	9
	1110(2)	11-5	110951-00946	1910	11	130711-00088	0260	1
06.78144-2204	1110(1)	6	110951-01076	0660	1-8	130712-00790	0660	1-4
	1110(1)	12	110958-01844	8900(2)	1-7	140101-00040	0660	9-3
	1110(2)	6	110958-01845	8900(2)	1-8	140202-00008	0110	1-1C
	1110(2)	12	110958-02383	8900(5)	1-7	140202-00011	0110	1-1BA
	1230	33	110958-02384	8900(5)	1-8		0110	1-1CA
101552-00242	8900(8)	2	111002-00122	8900(3)	1	140202-00020	0110	1-1B
101552-00287	1230	29	111002-00123	8900(3)	3	150102-00668A	0110	1
101558-00034	1910	7	111002-00124	8900(3)	1-1	150102-00674A	0110	1-1
101569-00143	8900(2)	1-4	111002-00125	8900(3)	3-1	150102-00677A	0110	1-1A
101569-00165	8900(5)	1-4	120106-00191	0910	11	150105-00438	0910	1
110401-00065	8900(4)	4		0910	23	150105-00439	0910	2
	8900(6)	3	120106-00412	1910	4	150107-00495	0210	1-1
110401-00066	8900(4)	1	120106-00507	0820	14	150107-00497	0210	1
	8900(6)	1	120106-00508	0820	13	150113-00400A	0310	1-1
110401-00067	8900(4)	2	120106-00509	0820	15	150113-00408A	0310	1





Part No	Fig. No	Find No	Part No	Fig. No	Find No	Part No	Fig. No	Find No
65.90310-0133	0560	22	65.96301-0573	8900(2)	13	67.06901A0001	8900(2)	7
65.90310-0134	0110	1-7	65.96340-5037	1230	4		8900(5)	7
	0110	9	65.96340-5061	1230	1	67.16250-6003	8900(4)	11
	0560	13	65.96401-0007	0140	12		8900(6)	6
65.90310-0135	0110	5	65.96501-0032B	0180	2		8900(8)	3
65.90310-0149A	0110	1-5	65.96501-0075	0940	2	800108-00159	0580	6
	0580	18	65.96501-0420	0940	6			
65.90310-0150	1250	11	65.96507-0001	1230	18			
65.90320-0022	0940	8		1230	20			
65.90441-0061	1910	6	65.96507-0043	1230	8			
65.90501-0049	0420	1-3	65.96601-0046B	0910	8			
65.90535-0001	0910	7	65.96601-0054	0110	10			
65.90535-0003	0940	14	65.96601-0055	0580	16			
	0940	16	65.96601-0067	0910	21			
	1030	4	65.96601-0221B	0560	7			
	8900(4)	3	65.96601A0237	0160	2			
	8900(7)	8	65.97401-0110A	0910	12			
65.90535-0005	1910	5		0910	17			
	2620	3		1230	6-2			
65.90701-0054	0810	1-4	65.97401-0178	1230	14-2			
	0810	2-4		1230	15-2			
65.90701-0103	0410	5	65.97401-6040	8900(2)	2			
65.90701-0104	0410	6		8900(5)	2			
65.90701-0136B	0420	1-5	65.97440-0004A	0910	25			
65.90710-0253	0660	1-6	65.97440-0006	0180	5			
65.90720-0024	1130	3	65.97440-5005	0630	5			
65.90801-0013	0810	1-5		0940	11			
	0810	2-5	65.97450-5001A	0940	7			
65.90815-0022A	0250	6	65.97450-5006	0940	4			
65.91301-0071	0110	1-1BB	65.97480-0422	0580	11			
65.91303-0005	0230	3	65.97601-0102	0510	4-3			
65.91605-0013	0110	15	65.98103-0027	1230	16			
65.91606-0037	0110	1-3	65.98130-0088	1250	9-10			
	0310	1-6	65.98130-0151	1110(1)	4			
65.91606-0039	0110	1-2		1110(2)	4			
65.91606-0041	0310	1-5	65.98130-0226	0550	1-6			
65.91701-0086	0910	13	65.98131-0060	0650	2			
	1250	4	65.98131-0071	0910	26			
65.91701-0121	1230	22	65.98131-0072	0180	6			
65.91701-0184	1230	21	65.98131-0105	1230	2			
65.91701-0274	0110	2	65.98150-0051	0160	3			
65.91701-0541	0810	9	65.98150-0071	0910	19			
65.93020-1011	0420	1-1B	65.98701-0005	0810	5			
65.93410-0087	0650	1-4	65.98701-0006	1010	4			
	0660	9-3	65.98701-0075	1010	3			
65.95840-0076	0660	9-2	65.99710-5003	0260	2			
65.95840-0079	0660	13	66.27435-6008	0110	13			



Silverhorn.CO.UK